



ROGERS[®] WITH MEMRILOC[™] HARDWARE
DRUMS

**ACCESSORIES and
PARTS CATALOG**

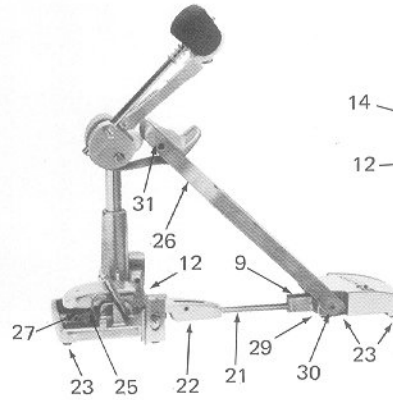
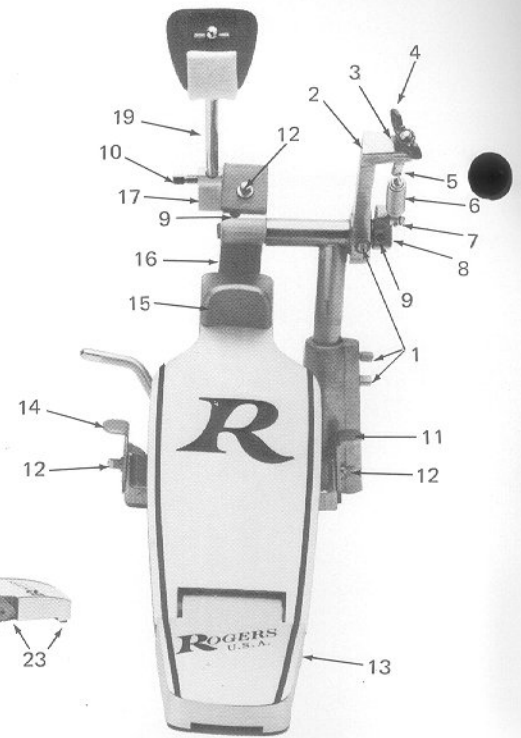
No. 42-1002

FOOT PEDALS

- 54-7000 Supreme foot pedal
- 54-7006 Swiv-O-matic foot pedal, hinged heel
- 54-7007 Swiv-O-matic foot pedal, adjustable footboard

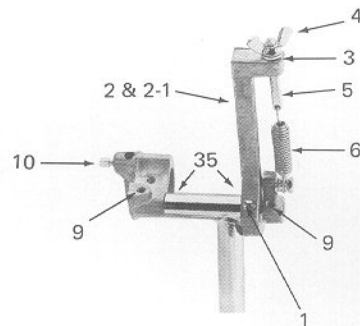
ASSEMBLIES & PARTS

- (A) 61-0685-049 Riser assembly for Supreme model
- (B) 61-0919-049 Riser assembly for Swiv-O-matic models
- (C) 61-0194-052 Pedal hoop clamp for Swiv-O-matic models
- (D) 61-0918-049 Footboard assembly for 54-7007 model
- (E) 61-0921-049 Footboard assembly for 54-7006 model
- (1) 60-0261 Pull set screw (1/4-20 x 5/8" thread) each
- (2) 61-0939-038 Stroke adjustment arm (Supreme Pedal) each
- (2-1) 60-5204-066 Stroke adjustment arm (Swivo Pedal) each
- (3) 60-2295 Lock washer, each
- (4) 61-0749 Wing nut, with nylon insert, each (1/4-20 thread)
- (5) 60-6193 Spring adjustment screw, each
- (6) 61-0690-049 Spring assembly with hooks & bushing, each
- (7) 60-9206-052 Hex head cam bolt (10-24 x 1/2" thread) each
- (8) 60-5207-038 Rocker arm, each
- (9) 60-5269 Allen screw (1/4-20 x 3/8" thread) each
- (10) 60-9222 Swivo set screw (1/4-20 x 1/2" thread) each
- (11) 60-9208-052 Right hand spur, each
- (12) 60-9210 Pull set screw (1/4-20 x 3/8" thread) each
- (13) 61-0681 Heel, for Supreme model, each
- (14) 60-9209-052 Left hand spur, each
- (15) 61-0684 Toe stop, for Supreme model, each
- (16) 61-0697 Pedal strap, each
- (17) 61-0747-038 Pedal beater cam, for Supreme model, each
- (18) 60-5200-066 Pedal beater cam, for Swivo models, each
- (19) 61-0674-049 Black Jack pedal beater, (5/16" shaft for Supreme model) each
- (20) 61-0797-049 Black Jack, Jr. pedal beater (1/4" shaft for Swiv-O-matic models) each
- (21) 61-0683 Connecting hinge rod, for Supreme model, each
- (22) 61-0658-049 Swivel unit assembly, each
- (23) 61-0588 Rubber bumper, each
- (25) 61-0942 Oval head screw (10-32 x 3/8" thread) each
- (26) 61-0130 Slotted hex head screw, each (8-32 x 7/16" thread)
- (27) 60-5414 Flat washer (3/16 x 1") each
- (29) 61-0590 Nylon bearing bushing, each
- (30) 61-0645 Pivot rod, each
- (31) 60-5261 Round head screw, for toe stop, each (10-24 x 9/16" thread)
- (32) 60-9211-052 Locking screw (5/16" dia. x 3" long) each
- (33) 61-0920 Connecting hinge rod, each (for 54-7006 model)
- (34) 60-8060 Pivot rod, each
- (35) 61-0689 Needle bearing, each (inside fitting, not illustrated)
- (36) 60-8084-066 Heel, for 54-7006 model, each
- (37) 60-5426 Roll pin, each
- (38) 60-5267 Slotted head screw, each (10-24 x 3/8" thread)
- (39) 61-0628-066 Toe stop, for 54-7007 model, each
- (40) 61-0916 Connecting hinge rod, each (for 54-7007 model)
- (41) 60-8037-066 Heel base, for 54-7007 model, each
- (42) 60-5189-066 Heel, for 54-7007 model, each
- (43) 60-9218-053 Plate (underneath—not illustrated) each
- (44) 60-9224-052 Pressure plate, each

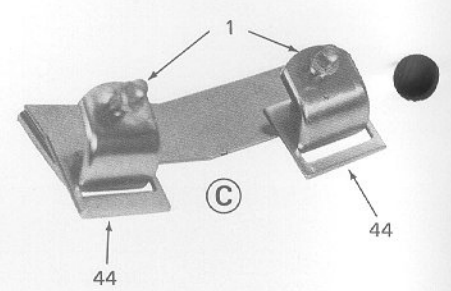


Side view of Supreme Pedal
Note: Footboard raised above normal position to expose underneath parts.

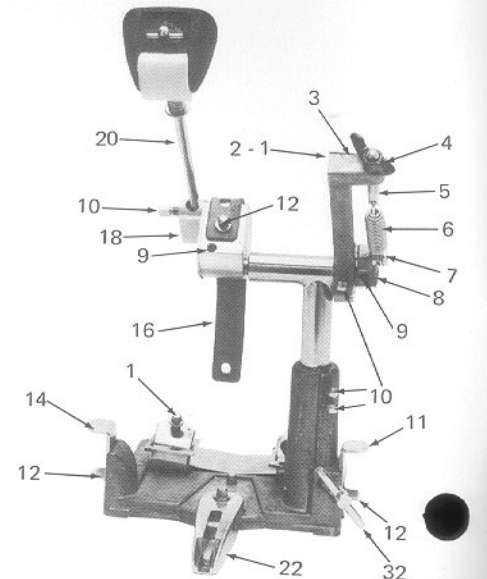
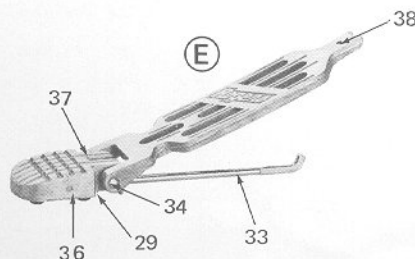
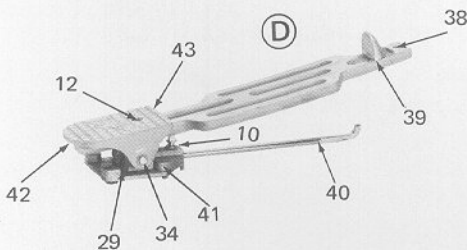
**54-7000
SUPREME**



(A) and (B)



2 and/or 2-1



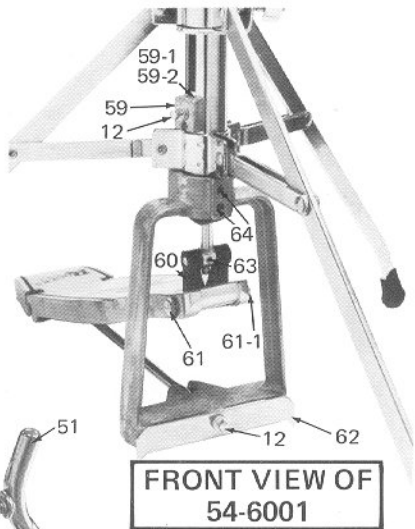
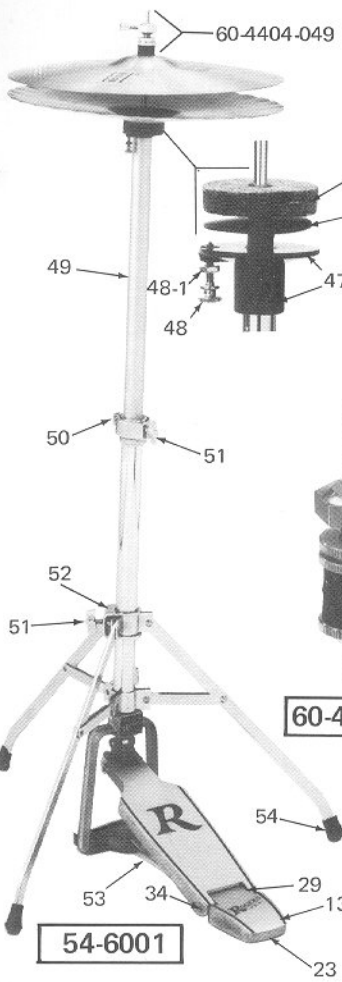
SWIV-O-MATIC

HI-HATS & ACCESSORIES

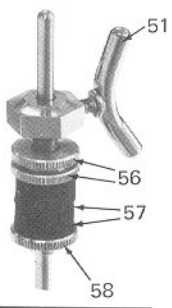
- 54-6001 Supreme Hi-Hat
- 54-6003 Swiv-O-matic Hi-Hat, hinged heel
- 54-6005 Swiv-O-matic Hi-Hat, 1 pce. footboard
- 60-4404-049 Hi-Hat clutch
- 61-0980 Dual-matic Hi-Hat clutch

ASSEMBLIES & PARTS

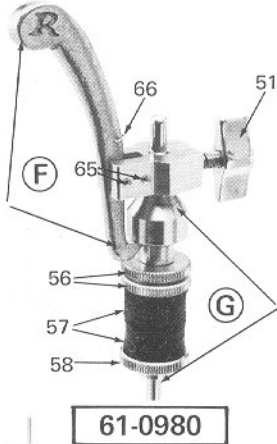
- (F) 61-0523 Upper section of Dual-matic hi-hat clutch
- (G) 61-0528 Lower section of Dual-matic hi-hat clutch
- (H) 61-0790-049 Hi-Hat extension rod (1/4-20 x 7" thread)
- (12) 60-9210 Pull set screw, each (1/4-20 x 3/8" thread)
- (13) 61-0681 Heel, for Supreme model, each
- (23) 61-0588 Rubber bumper, each
- (29) 61-0590 Nylon bearing bushing, each
- (34) 60-8060 Pivot rod, each
- (36) 60-8084-066 Heel, for 54-6003 model, each
- (37) 60-5426 Roll pin, each
- (45) 60-8057 Large felt washer, each
- (46) 60-8056 Large fibre washer, each
- (47) 61-0383-015 Flange tilter adapter, each
- (48) 61-0951 Tilter screw, each (8-32 x 3/4" thread)
- (48-1) 60-5381 Nut only, each (8-32 thread)
- (49) 61-0848-052 Upper tube of Supreme model, each
- (50) 61-0803-049 MemriLoc clamp (1 in. I.D.) each
- (51) 61-0878 Thumb screw, each (1/4-20 x 3/4" thread)
- (52) 61-0930-037 "U" clamp (1-1/8" holes) each
- (53) 61-0714 Connecting hinge rod, each (for Supreme model)
- (54) 60-8340 Rubber tip (No. 16) each
- (55) 61-0805-049 MemriLoc clamp (3/4 in. I.D.) each
- (56) 60-8040 Lock nut (3/8" thread) each
- (57) 60-8042 Small felt washer, each
- (58) 60-8041-052 Clutch retainer nut, each (3/8" thread)
- (59) 61-0392 Nut (1/4-20 thread) each (for Supreme spring tension)
- (59-1) 61-0484 Nylon bushing, each (f/spring tension assy) (inside fitting—not illustrated)
- (59-2) 60-8049-053 Hex coupling, each (f/spring tension assy) (inside fitting—not illustrated)
- (60) 61-0388 Pedal link (f/Supr. model) each
- (61) 61-0391 Hex head shoulder screw, each (1/4-20 x 3/8" thread)
- (61-1) 61-0434 Hex nut (1/4-20 thread) each
- (62) 61-0390-052 Double self-aligning spur, each
- (63) 60-5274 Allen screw, each (1/4-20 x 3/8" thread)
- (64) 60-5270 Allen screw, each (1/4-20 x 1/4" thread)
- (65) 60-5425 Roll pin, each
- (66) 61-0527 Lever spring, each
- (67) 61-0853-052 Upper tube (Swivo model) each
- (68) 61-0931-037 "U" clamp (3/4" holes) each
- (69) 60-8054-053 Cross pin only, each
- (70) 60-8011-052 Pedal link (Swivo model) each
- (71) 60-2427 Rubber tip (No. 15) each
- (73) 60-8066-052 Connecting rod (54-6003 mdl.) each
- (74) 60-8006-052 Hi-hat spur (Swivo models) each
- (75) 60-8067-052 Connecting rod (54-6005 mdl.) each
- (76) 60-8037-066 Heel base (54-6005 model) each



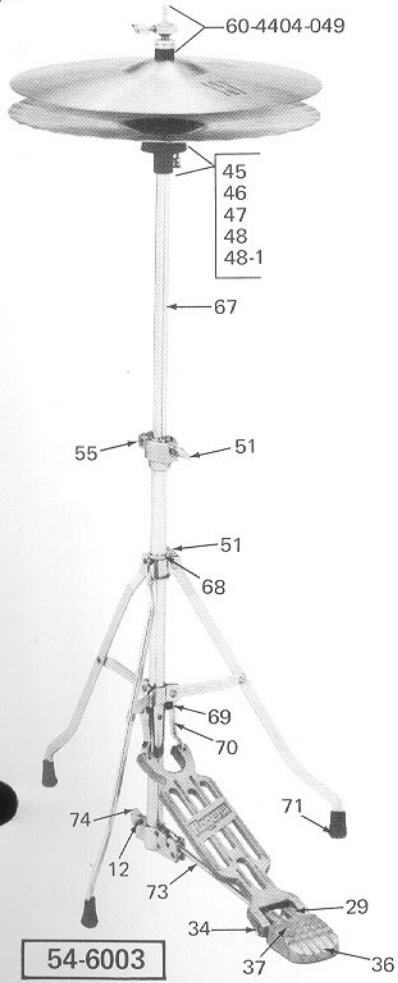
FRONT VIEW OF 61-0980



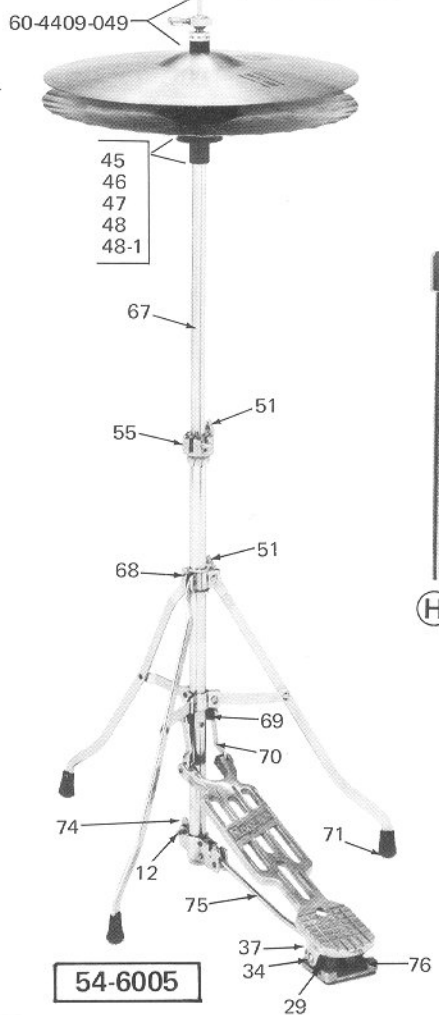
60-4404-049



61-0980



54-6003



54-6005

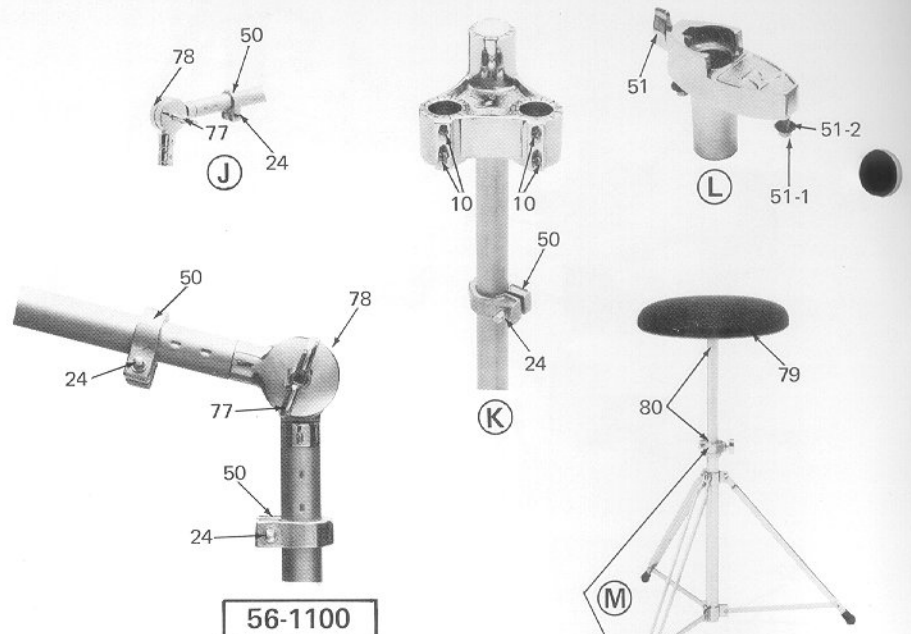
ITEMS NOT REFERENCED	for model 54-6001	for models 54-6003 54-6005
Upper pull rod, each	61-0400-049 w/nylon bushing	60-8047-052
Lower pull rod assy., each	61-0401-049	60-9259
Compression springs, each	60-8052	60-8052
Silencer sleeve, each	61-0402	
Heat shrink tubing, each	61-0459	

TOM TOM HOLDERS — STANDS

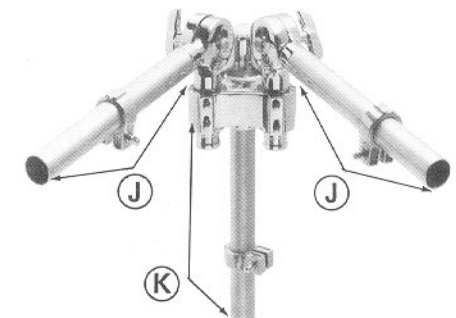
- 54-3001 Dual tom tom stand
- 54-3003 Extended Dual tom tom stand
- 54-5001 Drum throne
- 56-1100 Single tom tom holder
(Part number does not include bass or tom tom receiver mounts).
- 56-1200 Dual tom tom holder
(Part number does not include bass or tom tom receiver mounts).
- 56-1300 Triple tom tom holder
(Part number does not include bass or tom tom receiver mounts).
- 61-0983-049 Mini-dual tom tom holder
(Part number does not include tom tom receiver mounts).

ASSEMBLIES & PARTS

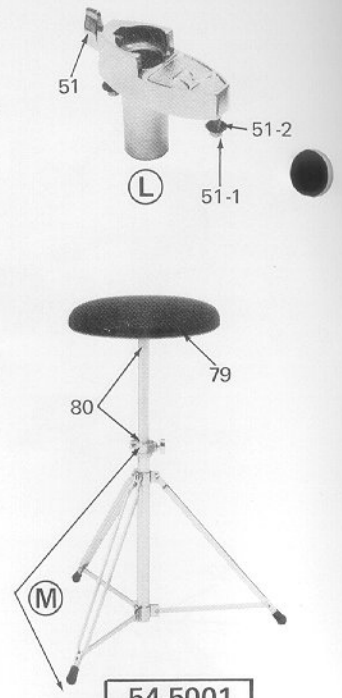
- (J) 61-0892-049 Ratchet Arm Assembly (8") each
- (K) 61-0891-049 Multiple tom center assy, each
- (L) 61-0800-049 Shell mount receiver, each (complete with mounting screws & thumb screw)
- (M) 61-0880-049 MemriLoc tripod base, each
- (N) 61-0868-049 Extension tube with MemriLoc clamp (14" length) each (Fits into 1-1/8" tube and accommodates a 1" tube)
- (10) 60-9222 Set screw, each (1/4-20 x 1/2" thread)
- (24) 61-0841-052 Pull set screw, each (1/4-20 x 1" thread)
- (50) 61-0803-049 MemriLoc clamp (1" I.D.) each
- (51) 61-0878 Thumb screw, each (1/4-20 x 3/4" thread)
- (51-1) 61-0972 Hex head mounting screw, each
- (51-2) 61-0973 Washer, each
- (77) 61-0832 "T" handle wing nut, each (1/4-20 thread)
- (78) 60-6919 Carriage bolt, each (1/4-20 x 2" thread)
- (79) 61-0915-049 Seat assy. (of drum throne) each
- (80) 61-0910-049 Upper tube assy. w/insert, each w/MemriLoc clamp (f/throne)
- (81-8) 61-0850-037 Ratchet arm (8") each
- (81-12) 61-0740-037 Ratchet arm (12") each
- (81-19) 61-0895-037 Ratchet arm (19") each
- (82) 61-0828 Heavy duty ratchet casting, each
- (83) 61-0831 Coil spring, each
- (83-1) 60-5366 Washer (1/4 x 9/16") each
- 61-0979-049 BD adapter
- 61-0978-049 TT adapter



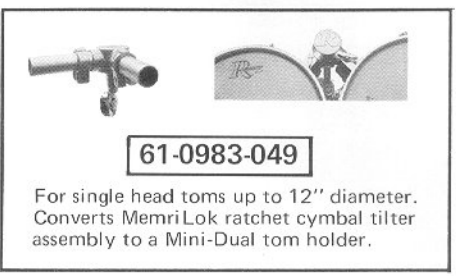
56-1100



56-1200

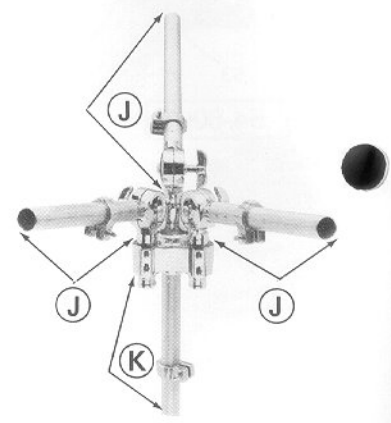


54-5001

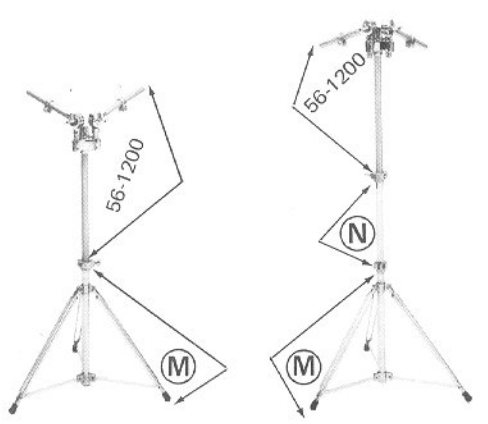


61-0983-049

For single head toms up to 12" diameter. Converts MemriLoc ratchet cymbal tilter assembly to a Mini-Dual tom holder.

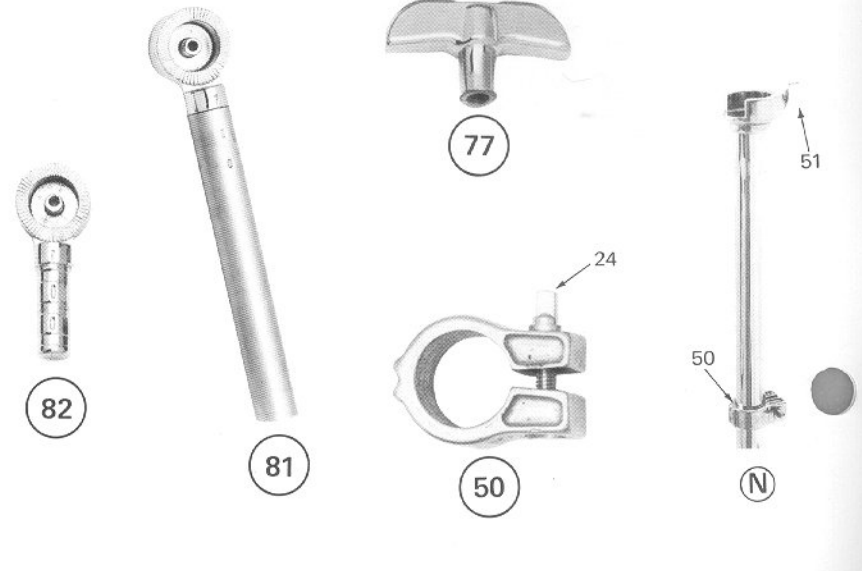


56-1300

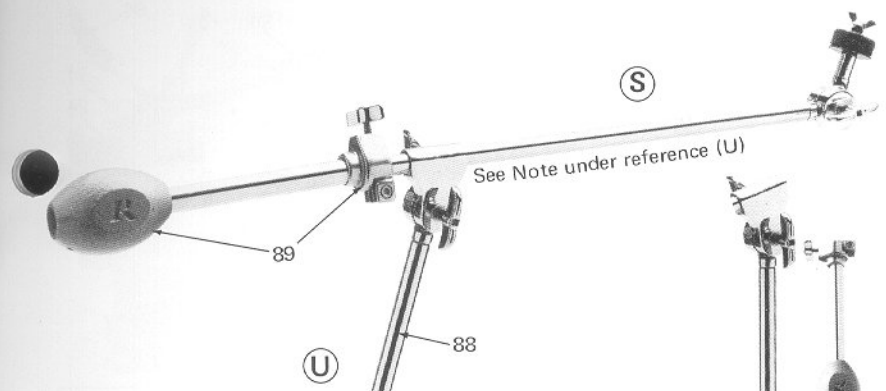


54-3001

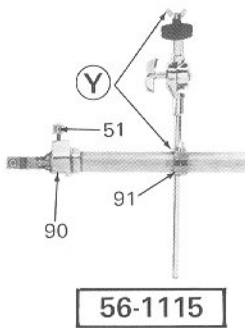
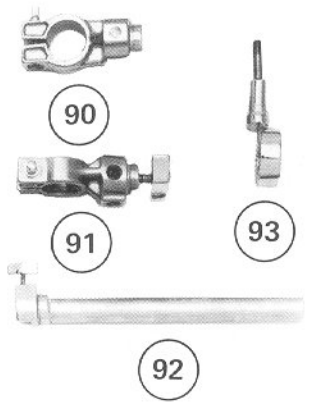
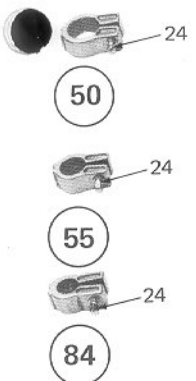
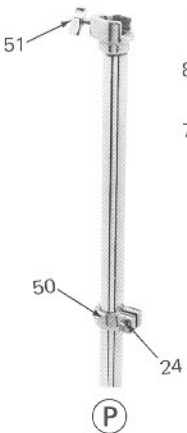
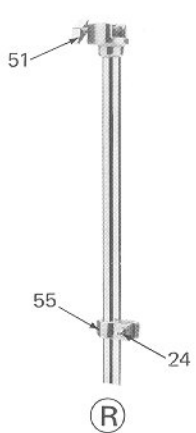
54-3003



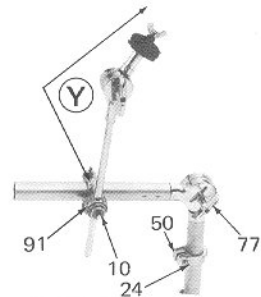
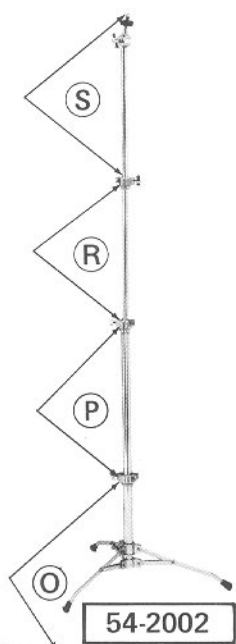
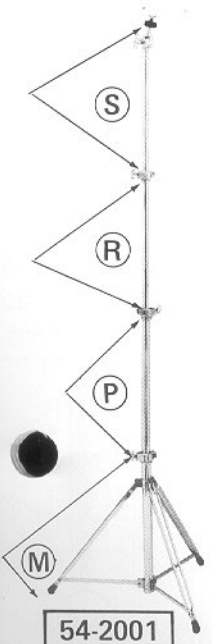
CYMBAL STANDS & HOLDERS



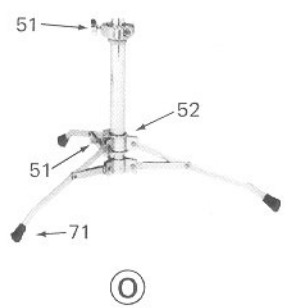
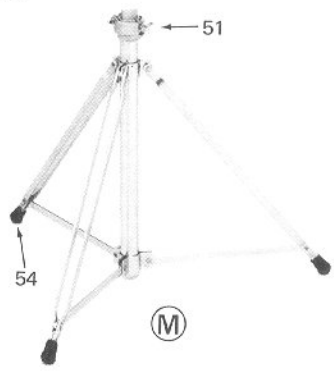
Boom Assembly



56-1115



56-1117 Side View



- 54-2001 Floor cymbal stand, tripod base
- 54-2002 Floor cymbal stand, flat base
- 56-1115 Cymbal extension assembly (as used on Starlighter IV outfit)
- 56-1117 Cymbal center assembly (as used on Londoner VII outfit)

ASSEMBLIES & PARTS

- (M) 61-0880-049 MemriLoc tripod base, each
- (O) 61-0879-049 MemriLoc flat base, each
- (P) 61-0847-049 Lower riser tube assy. (1" dia.) w/MemriLoc clamp
- (R) 61-0860-049 Middle riser tube assy. (3/4" dia.) w/MemriLoc clamp
- (S) 61-0855-049 Tilter-tube assy. (5/8" dia.) w/MemriLoc clamp
- (U) 56-2105 "Boom" cymbal assembly w/adjustable weight balancer. (consists of ref. num. 88 & 89)
- (W) 61-0974-049 Cymbal extension arm, each (1/4-20 threaded hole fits any standard tilter) (8" length)
- (Y) 61-0881-049 Cymbal tilter-rod assy. each (3/8 x 8" rod)
- (10) 60-9222 Set screw, each (1/4-20 x 1/2" thread)
- (24) 61-0841-052 Pull set screw, each (1/4-20 x 1" thread)
- (50) 61-0803-049 MemriLoc clamp (1" I.D.) each
- (51) 61-0878 Thumb screw, each (1/4-20 x 3/4" thread)
- (52) 61-0930-037 "U" clamp, each (1-1/8 x 1-1/8" hole sizes)
- (54) 60-8340 Rubber tip (No. 16) each
- (55) 61-0805-049 MemriLoc clamp (3/4" I.D.) each
- (71) 60-2427 Rubber tip (No. 15) each
- (77) 61-0832 "T" handle wing nut, each (1/4-20 thread)
- (78) 60-6919 Carriage bolt, each (1/4-20 x 2" thread)
- (84) 61-0807-049 MemriLoc clamp (5/8" I.D.) each
- (85) 60-9377 Wing nut (1/4-20 thread) each
- (86) 61-0857 Felt washer, each
- (87) 61-0851 Nylon cymbal seat, each
- (88) 61-0854-049 Ratchet receiver assy. (Boom) 5/8" diameter x 18" length
- (89) 61-0959-049 Adjustable counter weight (for "Boom") (3/4" dia. x 10" length)
- (90) 61-0836-049 MemriLoc accessory clamp, each (1" I.D.) (to attach to cym. ext. tube)
- (91) 61-0837-049 MemriLoc accessory clamp, each (1" I.D.) (to accom. 3/8" round rod)
- (92) 61-0885-049 Cymbal extension tube, each (1" I.D. x 12" length) with thumb screw
- (93) 61-0856-037 Ratchet stud, each (section of cymbal tilter assy.)

NOTE: The "S" unit not part of this stock number, as it is the top section of the floor cymbal stand and becomes part of the "boom" assy.

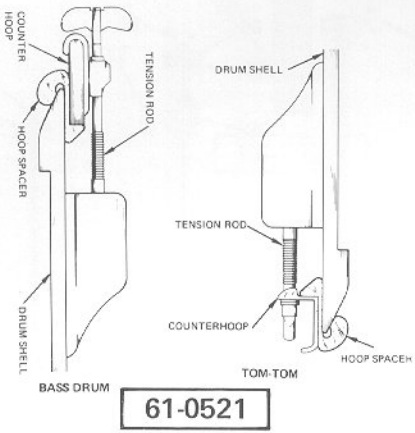
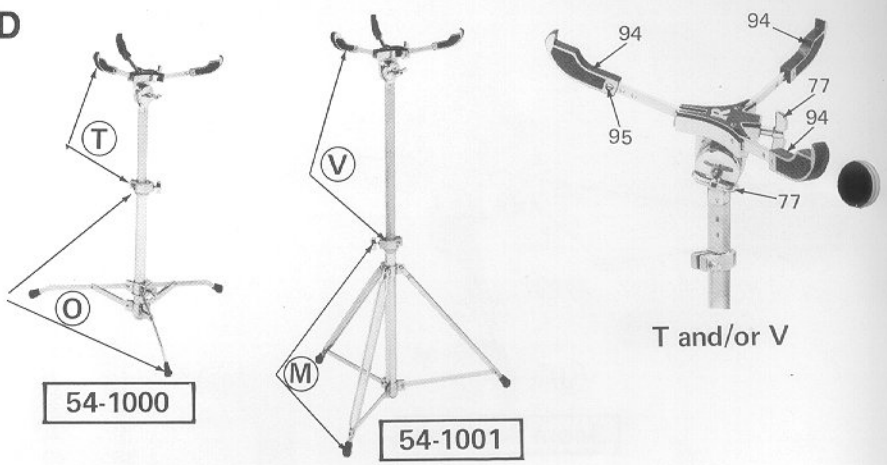
NOTE: (88 & 89) converts any cymbal stand with a 5/8" dia. section, to a "boom" stand.

DRUM STANDS — TIMBALE STAND and ACCESSORIES

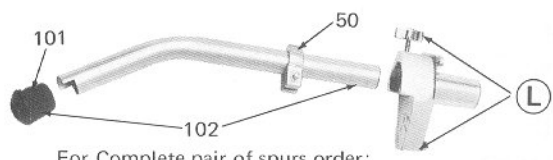
- 48-3700 Bass Drum Rack
- 54-1000 Drum Stand
- 54-1001 Concert drum stand
- 54-4001 Timbale stand
- 61-0521-049 Hoop Spacers, pkg. of 6
- 61-0640-049 Super X Muffler
- 61-0936-049 Leg rest
- 61-0975-049 Stick Tray assembly
- 61-0976-049 Hi-Hat mount assembly

ASSEMBLIES & PARTS

- (L) 61-0800-049 Shell mount receiver, each (complete with mounting screws and thumb screw)
- (M) 61-0880-049 MemriLoc tripod base
- (O) 61-0879-049 MemriLoc flat base
- (T) 61-0725-049 Upper section of 54-1000 drum stand (12" length riser tube)
- (V) 61-0894-049 Upper section of 54-1001 drum stand (19" length riser tube)
- (AA) 61-0902-049 Upper section of timbale stand (19" length riser tube)
- (BB) 61-0963-049 Cowbell holder assy. of timbale stand
- (CC) 61-0673-049 Timbale bracket w/mounting screws
- (DD) 60-0221-049 Knobby unit w/mounting bolts
- (EE) 60-0284-049 Clamp for stick tray and hi-hat mount assemblies
- (10) 60-9222 Set screw (1/4-20 x 1/2" thread) each
- (50) 61-0803-049 MemriLoc clamp (1" I.D.) each
- (77) 61-0832 "T" handle wing nut, each (1/4-20 thread)
- (78) 60-6919 Carriage bolt, each (1/4-20 x 2" thread)
- (85) 60-9377 Wing nut (1/4-20 thread) each
- (94) 61-0759 Adjustable arm clamp support, each (as used on snare drum stands)
- (95) 61-0731 Slotted fillister head screw, each (10-32 x 9/16" thread)
- (96) 61-0912 Felt strip (4" length) each (as used on timbale stand)
- (97) 61-0977-049 Cowbell "U" clamp, each with wing screw
- (98) 60-5951-052 Round rod (3/8 x 10") each
- (99) 60-7452-049 Two-way clamp, each
- (100) 60-2360-052 Hex "L" rod, each
- (101) 60-6169 Large heavy crutch tip, each
- (102) 61-0893-049 Spur tube (1" dia.) each with clamp and crutch tip
- (103) 61-0641 Wing nut (8-32 thread) each
- (104) 61-0794 Internal lock washer, each
- (105) 61-0869-037 3/8" ratchet rod, each (8" rod length)
- (106) 60-5629-052 "L" rod (3/8" dia. rod) each
- (107) 61-0901-049 Timbale stand square receiver, each with ratchet portion attached
- (108) 61-0968 Stick tray only, each



SUPER X CLIP-ON MUFLER (TONE CONTROL)
Snaps on or off in seconds with 360° positioning. Swivels for tone adjustment and does not restrict head movement.



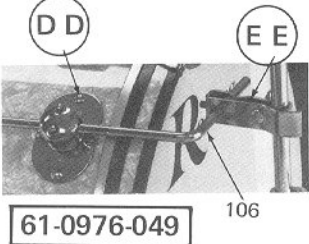
For Complete pair of spurs order:
2 each 61-0893-049 spur tube assemblies
2 each 61-0800-049 shell mount receivers



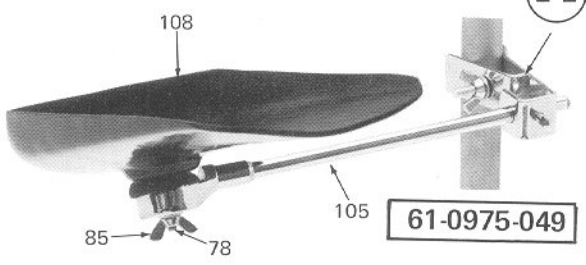
CLIP-ON MODEL LEG REST
Snaps on or off the triple flange hoop in a matter of seconds. Holds securely and provides flexible positioning.



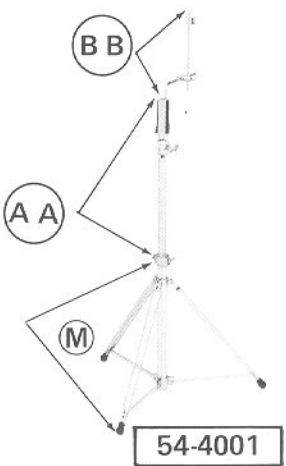
48-3700



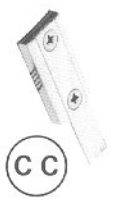
61-0976-049



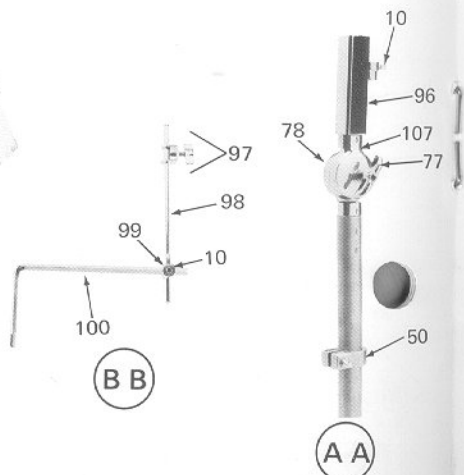
61-0975-049



54-4001



CC



AA

STRAINERS — SNARES — ACCESSORIES

- 61-0513-037 Bongo adapter
- 60-4409 Drum Key
- 60-4439-049 Bass drum muffler
- 60-6532-049 Snare strainer

ASSEMBLIES & PARTS

- (DD) 60-0221-049 Knobby unit w/mounting bolts
- (EE) 60-0284-049 Clamp for stick tray & hi-hat mount assys.

DYNA-SONIC SNARE FRAME ASSEMBLIES

- (GG) 61-0466-049 Wire for 14" drum
- 61-0467-049 Wire for 15" drum
- (HH) 61-0471-049 Nylon/6-1/2 x 14" drum
- 61-0472-049 Nylon/14" parade
- 61-0473-049 Nylon/15" parade

WIRE SNARES ONLY (not illustrated)

- for Dyna-Sonic — — for Super Ten (or Standard) —
- 60-4466-049 f/14" drum 60-7702-049 f/13"-20 strand
- 60-4467-049 f/15" drum 60-4457-049 f/14"-20 strand
- 60-4458-049 f/15"-20 strand

- 60-6329 Snare cord (12" length) (not illust.)
- (JJ) 60-5678-049 Back plate assembly
- (KK) 60-6542-049 Strainer cam & tension screw assy.
- (1) 60-0261 Pull set screw, each (1/4-20 x 5/8" thread)
- (10) 60-9222 Set screw, each (1/4-20 x 1/2" thread)
- (78) 60-6919 Carriage bolt, each (1/4-20 x 2" thread)
- (85) 60-9377 Wing nut (1/4-20 thread) each
- (99) 60-7452-049 Two-way clamp, each
- (109) 60-7556-036 Strainer handle, each
- (110) 60-5262 Slotted round head screw, each (10-24 x 9/16" thread)
- (111) 60-5663 Face/Back plate cover, each
- (112) 60-5441 Slotted screw (8-32 x 1/4") each (for wire frame assy.)

- (113) 60-5385-049 Tension screw assy., each (for frame assembly)
- (114) — Snare Frame Conversion Kits —
- 61-0456-049 f/14" snare drum—light nylon
- 61-0455-049 f/14" parade drum—heavy nylon
- 61-0452-049 f/15" parade drum—heavy nylon
- (116) 60-5664 Back plate base only, each
- (117) — Key Tension Rods (12-24" thread) each —
- 60-4928 1-1/4" long 60-4930 1-1/2" long
- 60-3571 2-1/4" long 60-4934 3-1/2" long
- (118) 60-2286-052 Double claw, each
- (119) 60-6408-037 "T" rod (3-3/4" long) each
- (120) 60-4233 Thumb screw (for BD muffler) each (1/4-20 x 3/4" thread)
- (122) — Carriage Bolt Assembly —
- 60-6604 Bolt (10-24 x 3/4" thread) each
- 60-5375 Washer (star-lock) each
- 60-5380 Nut (10-24 thread—hex) each
- SPRINGLESS LUGS (complete w/mounting screws) —
- (123) 61-0613-050 Lge. beavertail, each
- (124) 61-0614-050 Small beavertail, each
- (125) 61-0615-050 Small center, each
- (126) — Hex Tom Tom Legs, with rubber tip —
- 60-6840-049 (17-1/2") length, each
- 60-5605-049 (20" length) each



TRIPLE FLANGE METAL COUNTER HOOPS

ORCHESTRA and/or PARADE SNARE DRUMS

for Snare (bottom) side

for Batter (top) side

- 14 inch 60-9004-052 (8 ears)
- 15 inch 60-9008-052 (8 ears)
- 60-9006-052 (10 ears)
- 60-9010-052 (10 ears)

- | | |
|-----------------------|-----------------------|
| 14 inch | 15 inch |
| 60-9005-052 (8 ears) | 60-9009-052 (8 ears) |
| 61-0463-052 (10 ears) | |
| for Super Ten | |
| 61-0446-052 (10 ears) | 60-9011-052 (10 ears) |
| for Dyna-Sonic | for Dyna-Sonic |

ORCHESTRA TOMS,
TENOR and/or TIMP-TOM COUNTER HOOPS

for top and/or bottom

- | | |
|--------------------------------|--------------------------------|
| 8" (4 ears) | 60-9008-052 . . . 15" (8 ears) |
| 61-0479-052 . . . 8" (4 ears) | 60-9012-052 . . . 16" (8 ears) |
| 61-0475-052 . . . 10" (6 ears) | 60-9016-052 . . . 18" (8 ears) |
| 60-9000-052 . . . 12" (6 ears) | 60-9001-052 . . . 13" (6 ears) |
| 60-9001-052 . . . 13" (6 ears) | 60-9018-052 . . . 20" (8 ears) |
| 60-9004-052 . . . 14" (8 ears) | |

BASS DRUM COUNTER HOOPS

with Inlaid Pearl

- | | |
|-----------------------------|----------------------------|
| 60-9060-078 26 in. | 60-9063-078 28 in. |
| 60-9048-078 18 inch | 60-9069-078 32 in. |
| 60-9051-078 20 inch | 60-9075-078 36 in. |
| 60-9054-078 22 inch | 60-9078-078 40 in. |
| 60-9057-078 24 inch | |

TIMBALE AND BONGO HOOPS

- 60-2340-045 Timbale Hoop 13"
- 60-2341-045 Timbale Hoop 14"
- 60-9022-052 Bongo Hoop 6" (4 ear)
- 60-9023-052 Bongo Hoop 8" (4 ear)

ROGERS ACCU-SONIC TIMPANI PARTS

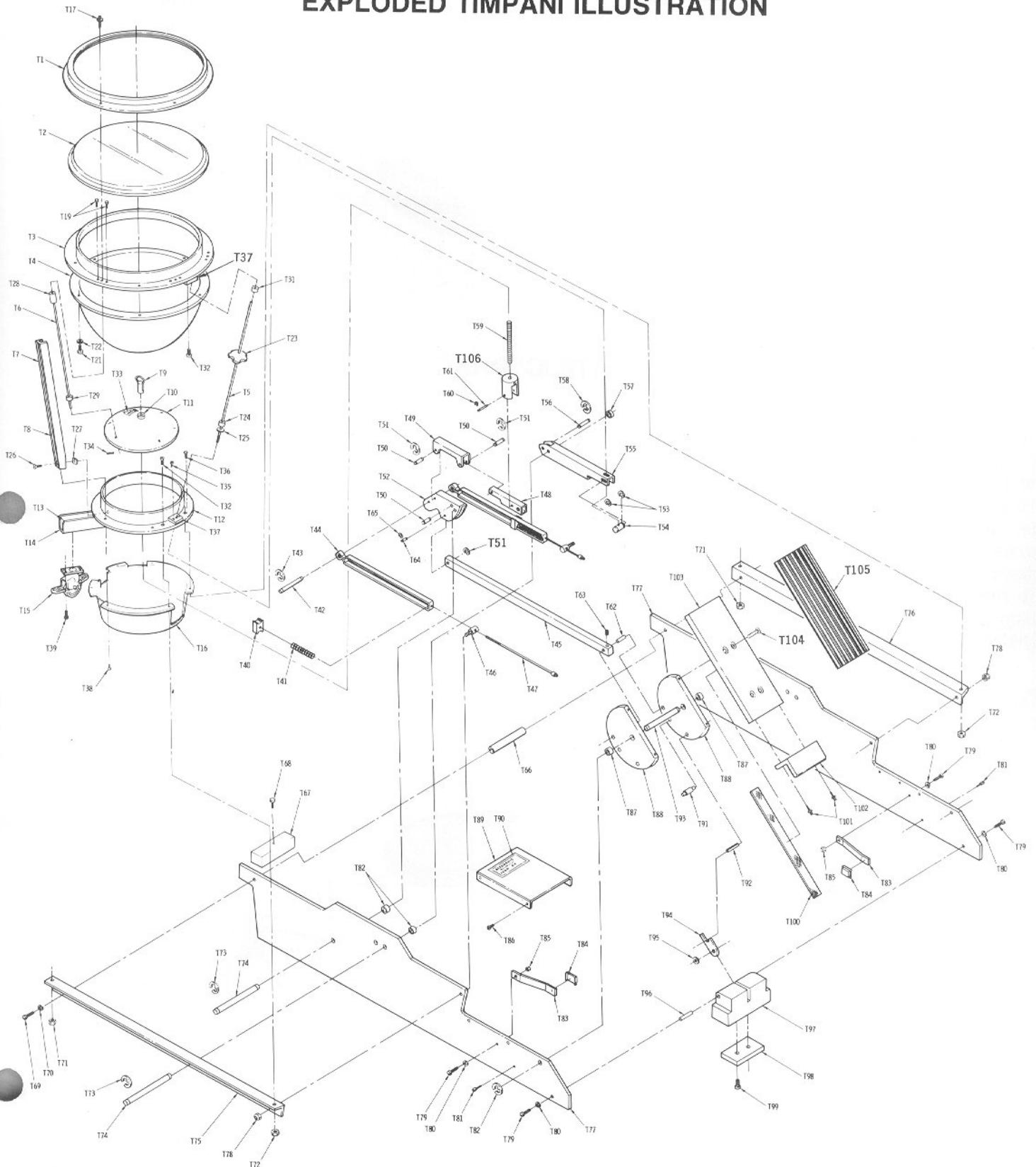
T1	Counterhoop			
	20 inch	60-9516		
	23 inch	60-9517		
	26 inch	60-9518		
	29 inch	60-9519		
T2	ACT Timpani Head (Inside Diameter — Outside Diameter)			
	20 inch	50-6121	21 in.	22 in.
	23 inch	50-6124	24 in.	25 in.
	26 inch	50-6127	27 in.	28 in.
	29 inch	50-6130	30 in.	31 in.
T3	Resonator Ring			
	20 inch	60-9566-090		
	23 inch	60-9567-090		
	26 inch	60-9568-090		
	29 inch	60-9569-090		
T4	Bowl			
	20 inch	60-9562-090		
	23 inch	60-9563-090		
	26 inch	60-9564-090		
	29 inch	60-9565-090		
T5	Fine Tuning Rod (Length)			
	20/26	60-9668-052	(27-5/16 in.)	
	23/29	60-9669-052	(27-5/8 in.)	
T6	Rod Tension Tube (Length)			
	20/26	60-9680-052	(24-13/16 in.)	
	23/29	60-9681-052	(25-3/16 in.)	
T7	Strut (Length)			
	20/26	60-9524-090	(25-7/16 in.)	
	23/29	60-9525-090	(25-11/16 in.)	
T8	60-9527	Tape, Walnut grain — 18 ft.		
T9	60-9600	Master Tuning Nut		
T10	60-9587	Master Tuning Grommet		
T11	Spider			
	20/23	60-9532-090		
	26/29	60-9533-090		
T12	Basic Ring			
	20/23	60-9521-090		
	26/29	60-9522-090		
T13	60-9528	Insert, Walnut Grain		
T14	60-9627-090	Channel Leg, 1/4 x 5-5/16 in.		
T15	60-9561	Caster		
T16	Bottom Enclosure			
	20/23	60-9597-090		
	26/29	60-9598-090		
T17	60-0261	Tension set screw, w/collar 1/4-20 x 5/8		
T19	60-9535	Screw, Flat Head		
T21	60-9541	Screw 1/4-20 x 5/8		
T22	60-9590	Fibre washer 1/4 x 1/2 x 1/16		
T23	60-9670-049	Fine tuning knob w/allen screw		
T24	60-9671-049	Collar w/allen screw		
T25	60-9591	Washer Grommet 3/8		
T26	60-9536	Screw 10-32 x 12 (allen)		
T27	60-9725-053	Retainer Plate		
T28	60-9617	Bushing, gum rubber, 3/16 x 1/8		
T29	60-9618	Bushing, gum rubber		
T31	60-9662	Bushing, Nylon		
T32	60-9546	Allen screw 1/4-20 x 3/4		
T33	60-2448-052	Name Plate		
T34	60-5427	Tension Rod Pin 1/8 x 7/8		
T35	60-5274	Screw (allen) 1/4-20 x 3/4		
T36	Same as T32			
T37	60-9665-090	Bearing Plate for Fine Tuning Rod		
T38	60-9547	Screw 10-32 x 1/2		
T39	60-9599	Truss head screw 1/4-20 x 1/2		
T40	60-9637	Tension Nut		
T41	60-9638	Spring Paragon 33-7		
T42	60-9643-053	Lever Pin		
T43	60-3467	E Snap Ring		
T44	60-9755-053	Spring Housing		
T45	Pedal Link			
	20/23	60-9640-053		
	26/29	60-9679-053		
T46	60-6906-053	Bracket Link		
T47	Spring Tension Adjustment Rod			
	20/23	60-9639-053	10-1/8 in. long	
	26/29	60-9678	12-7/8 in. long	
T49	60-9634-053	Link Toggle		
T50	60-9646-053	Link Toggle Pin		
T51	60-3467	E Ring		
T52	60-9635-053	Toggle		
T53	60-3464	C Ring		
T54	60-9672-053	Trunnion Nut for Fine Tuning Lever		
T55	Fine Tuning Lever			
	20/23	60-9676-053		
	26/29	60-9703-053		
T56	60-9673-053	Pivot		
T57	60-9656-053	Bushing		
T58	60-3465	E Ring		
T59	Stud			
	20/23	60-9615	3-7/8 in. long	
	26/29	60-9616-053	4-9/16 in. long	
T60	60-3467	E Snap Ring		
T61	60-9644-053	Clevis Pin		
T62	60-9655-053	Pivot Pedal Pin, 3/8 dia x 2-7/8		
T63	60-9550	Allen Set Screw 8-32 x 3/8		
T64	60-9648-053	Link Toggle Pin		
T65	60-3465	E Ring		
T66	60-9601-053	Rod Spacer		
T67	60-9684-090	Block Spacer		
T68	60-5830	Wood Screw Oval Head, 6 x 1		
T69	60-9551	Screw 1/4-20 x 3/4 Truss Head		
T70	60-9594	Shakeproof Spring Washer		
T71	60-9544	Stop Nut 1/4-20		
T72	Same as T71			
T73	60-3464	C Ring		
T74	60-9645-053	Toggle Rod		
T75	Angle Bracket, Left-hand Housing			
	20/23	60-9613-090	15 in. long	
	26/29	60-9611-090	21 in. long	
T76	Angle Bracket, Right-hand Housing			
	20/23	60-9612-090	15 in. long	
	26/29	60-9610-090	21 in. long	
T77	Side Plate for Pedal Assembly			
	20/23	60-9608-090		
	26/29	60-9609-090		
T78	60-9548	Stop Nut 5/16-18		
T79	60-9723	Truss head Screw 1/4-20 x 1		
T80	60-5372	Washer, 1/4 Lock		
T81	60-9222	Heel Brake Screw 1/4-20 x 1/2		
T82	60-3467	E snap ring		
T83	60-9658-053	Brake Spring		
T84	60-9659-040	Brake Shoe		
T85	60-9544	Stop Nut 1/4-20		
T86	60-9699	Cover Screw		
T87	60-9656-053	Pedal Support Spacer		
T88	60-9651-090	Pedal Support		
T89	60-9693-090	Pedal Housing Cover		
T91	60-9654-053	Pedal Support Pin		
T92	60-9552	Pedal Support Pin		
T93	60-9649-053	Pedal Support Spacer Rod		
T94	60-9603-053	Pedal Lock		
T95	60-9594	Shakeproof Spring Washer		
T96	60-9605	Heel Block Pin		
T97	60-9607-090	Heel Block Spacer		

ROGERS ACCU-SONIC TIMPANI PARTS (Continued)

- T98 60-9592 Rubber Pad for Heel Block
- T99 60-9547 Allen Screw 10-32 x 1/2
- T100 60-9727 Rubber Strip for Footboard Side
- T101 60-0261 Tension set screw w/collar 1/4-20 x 5/8
- T102 60-9708-090 Pedal Heel Rest
- T103 60-9650-090 Foot Plate

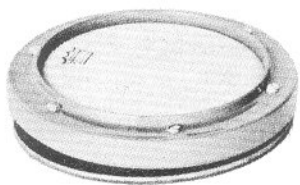
- T104 60-9546 Foot Plate Allen Screws 1/4-20 x 3/4
 - T105 60-9726 Footboard Rubber Pad
 - T106 60-9687-049 Clevis w/allen screw
- COMPLETE PEDAL ASSEMBLY**
 (T40 through T106)
 60-9827-049 For 20/23 Timpani with fine tuning
 60-9828-049 For 26/29 Timpani with fine tuning

EXPLODED TIMPANI ILLUSTRATION



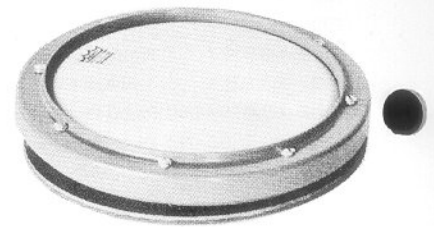
REMO TUNABLE PRACTICE PADS

Tensions like a drum. Duplicates stick feel and rebound. Designed for stick or brush work. Rubber base keeps pad from creeping. Weather King Mylar heads.

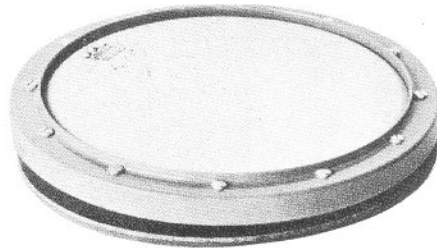


(A)

- (A) 50-8206 Practice Pad, 6 inch
- (B) 50-8208 Practice Pad, 8 inch
- (C) 50-8210 Practice Pad, 10 inch



(B)

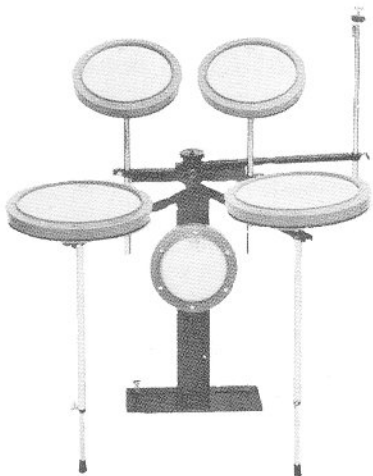


(C)

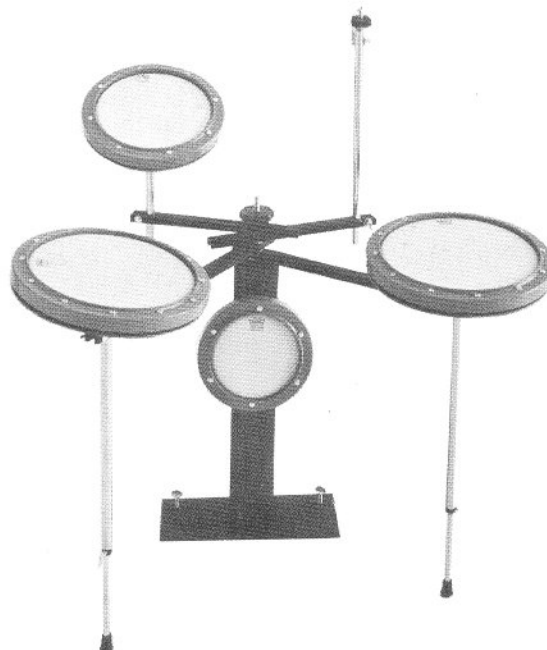
REMO 'VERSATILIC' PRACTICE SETS

Professionally designed to stimulate drum set conditions without the percussive sound volume of an actual drum set. Ideal for home and practice room. Now everyone, professionals and beginners alike, can perfect style, technique and approach before applying rhythmic patterns to a drum set. Center control knob provides immediate and complete adjustment of extension arms. Each pad has height and tilting adjustment.

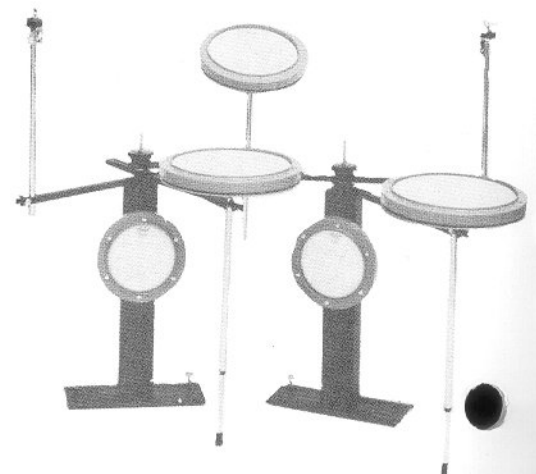
- (D) 50-8600 Standard Set
(Consists of 4 pads, center support and extension arms)
- (E) 50-8700 Twin Tom Tom Set
(Consists of 5 pads, center support and extension arms)
- (F) 50-8800 Twin Bass Drum Set
(Consists of 5 pads, two center supports and extension arms)



(E)



(D)



(F)

CONTENTS

Inside Front Cover	Pedal Parts
Page 1	Hi-Hat Parts
Page 2	Tom Tom Holders Stands Drum Thrones
Page 3	Cymbal Stands Cymbal Holders
Page 4	Drum Stands Timbale Stand Hoop Spacers Muffler (Tone Control) Spurs Leg Rest Additional Accessories
Page 5	Strainer Snares & Snare Assemblies Tom Tom Legs Lugs Drum Key Knobby Unit Additional Accessories
Page 6	Timpani Parts
Page 7	Timpani Parts Timpani Drawing
Page 8	Practice Pads and Sets
Back Cover	Consecutive Number Listing

CONSECUTIVE PART NUMBERS WITH PAGE LOCATIONS

(-) reference by part number (NI) not illustrated (IFC) inside front cover

PART NO.	PAGE	REF.	PART NO.	PAGE	REF.	PART NO.	PAGE	REF.	PART NO.	PAGE	REF.	PART NO.	PAGE	REF.	
48-3700	4	(-)	60-5425	1	(65)	60-9377	3,4,5	(85)	60-9665-090	6	(T37)	61-0731	4	(95)	
50-6121	6	(T2)	60-5426	IFC,1	(37)	60-9516	6	(T1)	60-9668-052	6	(T5)	61-0740-037	2	(81-12)	
50-6124	6	(T2)	60-5427	6	(T34)	60-9517	6	(T1)	60-9669-052	6	(T5)	61-0747-038	IFC	(17)	
50-6127	6	(T2)	60-5441	5	(112)	60-9518	6	(T1)	60-9670-049	6	(T23)	61-0749	IFC	(4)	
50-6130	6	(T2)	60-5605-049	5	(126)	60-9519	6	(T1)	60-9671-049	6	(T24)	61-0759	4	(94)	
50-8206	8	(A)	60-5629-052	4	(106)	60-9521-090	6	(T12)	60-9672-053	6	(T54)	61-0790-049	1	(H)	
50-8208	8	(B)	60-5663	5	(111)	60-9522-090	6	(T12)	60-9673-053	6	(T56)	61-0794	4	(104)	
50-8210	8	(C)	60-5664	5	(116)	60-9524-090	6	(T7)	60-9676-053	6	(T55)	61-0797-049	IFC	(20)	
50-8600	8	(D)	60-5678-049	5	(JJ)	60-9525-090	6	(T7)	60-9678	6	(T47)	61-0800-049	2,4	(L)	
50-8700	8	(E)	60-5830	6	(T68)	60-9527	6	(T8)	60-9679-053	6	(T45)	61-0803-049	1,2	(50)	
50-8800	8	(F)	60-5951-052	4	(98)	60-9528	6	(T13)	60-9680-052	6	(T6)		3,4	(50)	
54-1000	4	(-)	60-6169	4	(101)	60-9532-090	6	(T11)	60-9681-052	6	(T6)	61-0805-049	1,3	(55)	
54-1001	4	(-)	60-6193	IFC	(5)	60-9533-090	6	(T11)	60-9684-090	6	(T67)	61-0807-049	3	(84)	
54-2001	3	(-)	60-6329	5	(NI)	60-9535	6	(T19)	60-9687-049	6	(T106)	61-0828	2	(82)	
54-2002	3	(-)	60-6408-037	5	(119)	60-9536	6	(T26)	60-9693-090	6	(T89)	61-0831	2	(83)	
54-3001	2	(-)	60-6532-049	5	(-)	60-9541	6	(T21)	60-9699	6	(T86)	61-0832	2,3,4	(77)	
54-3003	2	(-)	60-6542-049	5	(KK)	60-9544	6	(T71,T72,T85)	60-9703-053	6	(T55)	61-0836-049	3	(90)	
54-4001	4	(-)	60-6604	5	(122)	60-9546	6	(T32,T36,T104)	60-9708-090	6	(T102)	61-0837-049	3	(91)	
54-5001	2	(-)	60-6840-049	5	(126)	60-9547	6	(T38,T99)	60-9723	6	(T79)	61-0841-052	2,3	(24)	
54-6001	1	(-)	60-6906-053	6	(T46)	60-9548	6	(T78)	60-9725-053	6	(T27)	61-0847-049	3	(P)	
54-6003	1	(-)	60-6919	2,3,	(78)	60-9550	6	(T63)	60-9726	6	(T105)	61-0848-052	1	(49)	
54-6005	1	(-)		4,5		60-9551	6	(T69)	60-9727	6	(T100)	61-0850-037	2	(81-8)	
54-7000	IFC	(-)	60-7452-049	4,5	(99)	60-9552	6	(T92)	60-9755-053	6	(T44)	61-0851	3	(87)	
54-7006	IFC	(-)	60-7556-036	5	(109)	60-9561	6	(T15)	60-9827-049	6	(-)	61-0853-052	1	(67)	
54-7007	IFC	(-)	60-7702-049	5	(NI)	60-9562-090	6	(T4)	60-9828-049	6	(-)	61-0854-049	3	(88)	
56-1100	2	(-)	60-8006-052	1	(74)	60-9563-090	6	(T4)	61-0130	IFC	(26)	61-0855-049	3	(S)	
56-1115	3	(-)	60-8011-052	1	(70)	60-9564-090	6	(T4)	61-0194-052	IFC	(C)	61-0856-037	3	(93)	
56-1117	3	(-)	60-8037-066	IFC	(41)	60-9565-090	6	(T4)	61-0383-015	1	(47)	61-0857	3	(86)	
56-1200	2	(-)		1	(76)	60-9566-090	6	(T3)	61-0388	1	(60)	61-0860-049	3	(R)	
56-1300	2	(-)	60-8040	1	(56)	60-9567-090	6	(T3)	61-0390-052	1	(62)	61-0868-049	2	(N)	
56-2105	3	(U)	60-8041-052	1	(58)	60-9568-090	6	(T3)	61-0391	1	(61)	61-0869-037	4	(105)	
60-0221-049	4,5	(DD)	60-8042	1	(57)	60-9569-090	6	(T3)	61-0392	1	(59)	61-0878	1,2,3	(51)	
60-0261	IFC, 5	(1)	60-8047-052	1	(NI)	60-9587	6	(T10)	61-0400-049	1	(NI)	61-0879-049	3,4	(O)	
			60-8049-053	1	(59-2)	60-9590	6	(T22)	61-0401-049	1	(NI)	61-0880-049	2,3,4	(M)	
60-0284-049	4,5	(T17, T101)	60-8052	1	(NI)	60-9591	6	(T25)	61-0402	1	(NI)	61-0881-049	3	(Y)	
60-2286-052	5	(118)	60-8054-053	1	(69)	60-9592	6	(T98)	61-0434	1	(61-1)	61-0885-049	3	(92)	
60-2295	IFC	(3)	60-8056	1	(46)	60-9594	6	(T70,T95)	61-0446-052	5	(NI)	61-0891-049	2	(K)	
60-2340-045	5	(NI)	60-8057	1	(45)	60-9597-090	6	(T16)	61-0452-049	5	(114)	61-0892-049	2	(J)	
60-2341-045	5	(NI)	60-8060	IFC,1	(34)	60-9598,090	6	(T16)	61-0455-049	5	(114)	61-0893-049	4	(102)	
60-2360-052	4	(100)	60-8066-052	1	(73)	60-9599	6	(T39)	61-0456-049	5	(114)	61-0894-049	4	(V)	
60-2427	1,3	(71)	60-8067-052	1	(75)	60-9600	6	(T9)	61-0459	1	(NI)	61-0895-037	2	(81-19)	
60-2448-052	6	(T33)	60-8084-066	IFC,1	(36)	60-9601-053	6	(T66)	61-0463-052	5	(NI)	61-0901-049	4	(107)	
60-3464	6	(T53,T73)	60-8340	1,3	(54)	60-9603-053	6	(T94)	61-0466-049	5	(GG)	61-0902-049	4	(AA)	
60-3465	6	(T58,T65)	60-9000-052	5	(NI)	60-9605	6	(T96)	61-0467-049	5	(GG)	61-0910-049	2	(80)	
60-3467	6	(T43,T51 T60,T82)	60-9001-052	5	(NI)	60-9607-090	6	(T97)	61-0471-049	5	(HH)	61-0912	4	(96)	
			60-9004-052	5	(NI)	60-9608-090	6	(T77)	61-0472-049	5	(HH)	61-0915-049	2	(79)	
60-3571	5	(117)	60-9005-052	5	(NI)	60-9609-090	6	(T77)	61-0473-049	5	(HH)	61-0916	IFC	(40)	
60-4233	5	(120)	60-9006-052	5	(NI)	60-9610-090	6	(T76)	61-0475-052	5	(NI)	61-0918-049	IFC	(D)	
60-4404-049	1	(-)	60-9008-052	5	(NI)	60-9611-090	6	(T75)	61-0479-052	5	(NI)	61-0919-049	IFC	(B)	
60-4409	5	(-)	60-9009-052	5	(NI)	60-9612-090	6	(T76)	61-0484	1	(59-1)	61-0920	IFC	(33)	
60-4439-049	5	(-)	60-9010-052	5	(NI)	60-9613-090	6	(T75)	61-0513-037	5	(-)	61-0921-049	IFC	(E)	
60-4457-049	5	(NI)	60-9011-052	5	(NI)	60-9615	6	(T59)	61-0521-049	4	(-)	61-0930-037	1,3	(52)	
60-4458-049	5	(NI)	60-9012-052	5	(NI)	60-9616-053	6	(T59)	61-0523	1	(F)	61-0931-037	1	(68)	
60-4466-049	5	(NI)	60-9016-052	5	(NI)	60-9617	6	(T28)	61-0527	1	(66)	61-0936-049	4	(-)	
60-4467-049	5	(NI)	60-9018-052	5	(NI)	60-9618	6	(T29)	61-0528	1	(G)	61-0939-038	IFC	(2)	
60-4928	5	(117)	60-9022-052	5	(NI)	60-9627-090	6	(T14)	61-0588	IFC,1	(23)	61-0942	IFC	(25)	
60-4930	5	(117)	60-9023-052	5	(NI)	60-9634-053	6	(T49)	61-0590	IFC,1	(29)	61-0951	1	(48)	
60-4934	5	(117)	60-9048-078	5	(NI)	60-9635-053	6	(T52)	61-0613-050	5	(123)	61-0959-049	3	(89)	
60-5189-066	IFC	(42)	60-9051-078	5	(NI)	60-9637	6	(T40)	61-0614-050	5	(124)	61-0963-049	4	(BB)	
60-5200-066	IFC	(18)	60-9054-078	5	(NI)	60-9638	6	(T41)	61-0615-050	5	(125)	61-0968	4	(108)	
60-5204-066	IFC	(2-1)	60-9057-078	5	(NI)	60-9639-053	6	(T47)	61-0628-066	IFC	(39)	61-0972	2	(51-1)	
60-5207-038	IFC	(8)	60-9060-078	5	(NI)	60-9640-053	6	(T45)	61-0640-049	4	(-)	61-0973	2	(51-2)	
60-5261	IFC	(31)	60-9063-078	5	(NI)	60-9643-053	6	(T42)	61-0641	4	(103)	61-0974-049	3	(W)	
60-5262	5	(110)	60-9069-078	5	(NI)	60-9644-053	6	(T61)	61-0645	IFC	(30)	61-0975-049	4	(-)	
60-5267	IFC	(38)	60-9075-078	5	(NI)	60-9645-053	6	(T74)	61-0658-049	IFC	(22)	61-0976-049	4	(-)	
60-5269	IFC	(9)	60-9078-078	5	(NI)	60-9646-053	6	(T50)	61-0673-049	4	(CC)	61-0977-049	4	(97)	
60-5270	1	(64)	60-9206-052	IFC	(7)	60-9648-053	6	(T64)	61-0674-049	IFC	(19)	61-0978-049	2	(NI)	
60-5274	1	(63)	60-9208-052	IFC	(11)	60-9649-053	6	(T93)	61-0681	IFC,1	(13)	61-0979-049	2	(NI)	
			60-9209-052	IFC	(14)	60-9650-090	6	(T103)	61-0683	IFC	(21)	61-0980	1	(-)	
60-5366	2	(83-1)	60-9210	IFC,1	(12)	60-9651-090	6	(T88)	61-0684	IFC	(15)	61-0983-049	2	(-)	
60-5372	6	(T80)	60-9211-052	IFC	(32)	60-9654-053	6	(T91)	61-0685-049	IFC	(A)				
60-5375	5	(122)	60-9218-053	IFC	(43)	60-9655-053	6	(T62)	61-0689	IFC	(35)				
60-5380	5	(122)	60-9222	IFC,2,3	(10)	60-9656-053	6	(T57,T87)	61-0690-049	IFC	(6)				
60-5381	1	(48-1)		4,5	(10)	6	(T81)	60-9658-053	6	(T83)	61-0697	IFC	(16)		
60-5385-049	5	(113)	60-9224-052	IFC	(44)	60-9659-040	6	(T84)	61-0714	1	(53)				
60-5414	IFC	(27)	60-9259	1	(NI)	60-9662	6	(T31)	61-0725-049	4	(T)				