

ROGERS DRUMS®

U.S.A. CBS Musical Instruments

Columbia Broadcasting System, Inc. / 1005 East 2nd Street • Dayton, Ohio 45402

PC-69

PARTS CATALOG



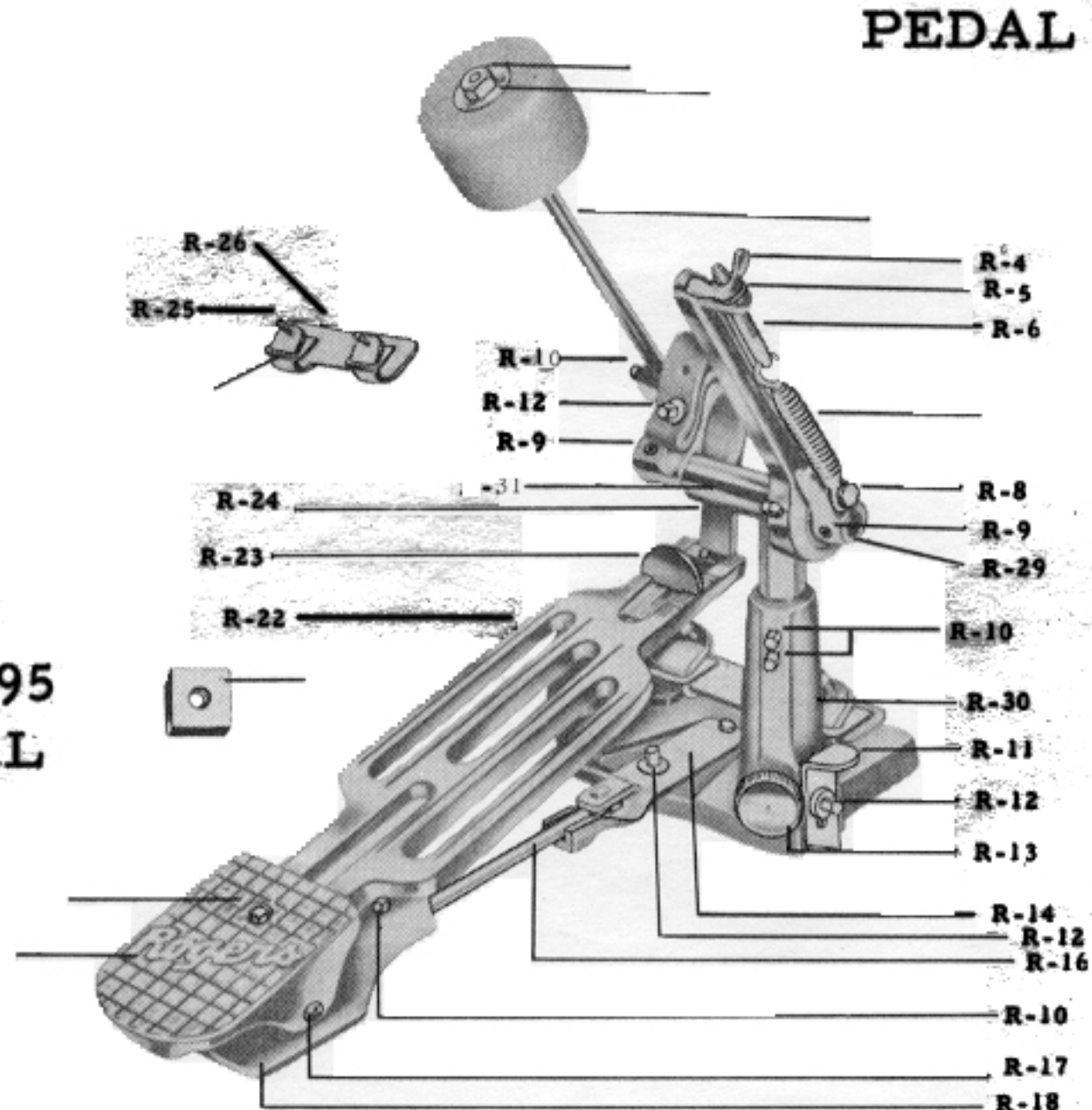
CONTENTS

	Page
Cymbal Holders.....	10
Carriage Bolts.....	6 & 10
Claw Hooks.....	12
Counter Hoops.....	13 & 14
Cowbell "U" Clamp.....	11
Dyna-Sonic Snare Assembly Parts.....	8
Snares	
Snare Guard	
Tension Screws (for snare tensioning)	
Eye Bolts (Sling Hook).....	12
Felt Strips (for bass drum muffling).....	10
Foot Pedals.....	1 & 2
Hi-Hats.....	3
"L" Shaped Arm.....	10
Leg Rests.....	11
Lugs.....	13
Rubber Tips.....	11
Set Screws.....	11
Snare Cord.....	9
Snare Strainer.....	9
Spurs.....	10
Stands.....	4 & 5
Tension Rods.....	12
Throne.....	7
Thumb Screws.....	11
Timpani.....	24
Tom Tom Holders, Dual.....	6
Tom Tom Legs.....	11
Bass Drum and Tom Tom Assemblies	
For: 2802 Celebrity Outfit.....	15
2845 Citadel Outfit.....	16
2852 Constellation Outfit.....	17
2806 Headliner Outfit.....	18
2873 Londoner Outfit.....	19
2855 Starlighter Outfit.....	20
2834 Timbale Twin Outfit.....	21
2837 Twin-Bass Outfit.....	22 & 23

Please Order All Parts By Stock Number
 Prices And Specifications Subject To Change Without Notice
 All Prices In U. S. Dollars

PEDAL PARTS

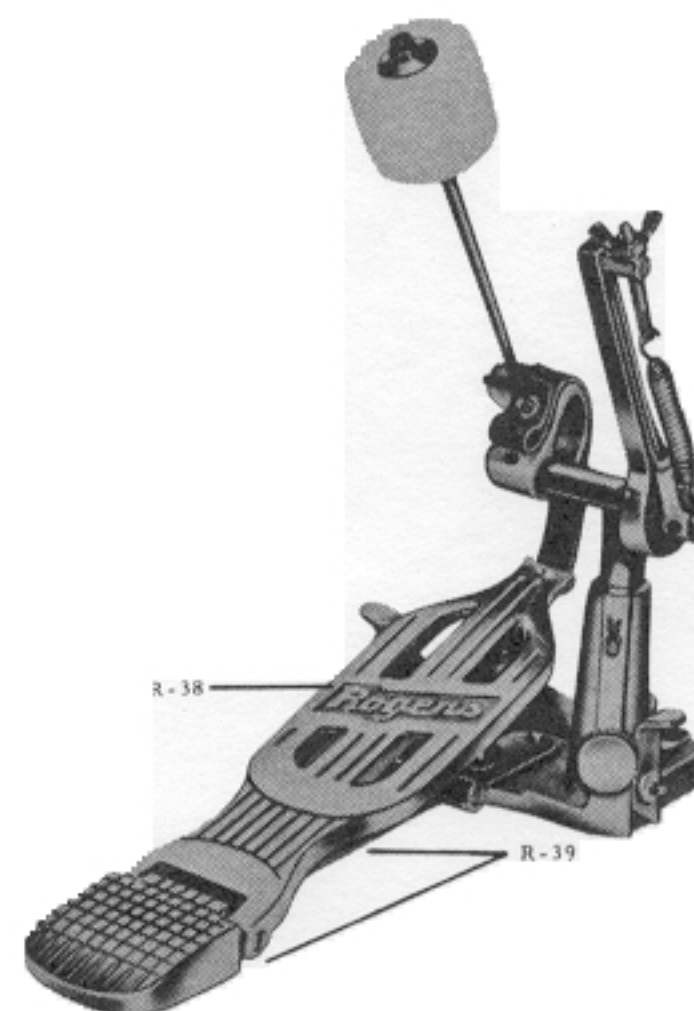
FOR
No. 395
PEDAL



For No. 's 395 & 396 Pedals
5204 Stroke adjustment arm \$ 3.50

Stock No.		List Each
9200 (R-1)	Pedal ball hex nut.....	\$.15
9201 (R-2)	Pedal ball washer.....	.05
4420 (R-3)	Pedal beater complete....	2.75
9202 (R-4)	Wing nut.....	.20
9203 (R-5)	Lock washer.....	.05
9204 (R-6)	Spring adjustment screw..	.50
9205 (R-7)	Spring assembly, with hooks and bushing.....	1.20
9206 (R-8)	Cam bolt.....	.50
9207 (R-9)	Allen screw.....	.20
391 (R-10)	Set screw, 5/16" thread length.....	.15
9208 (R-11)	Pedal spur-right side... ..	.80
9209 (R-11)	Pedal spur-left side.....	.80
9210 (R-12)	Pull set screw 3/8" thread length.....	.20
9211 (R-13)	Locking screw.....	1.00
9212 (R-14)	Swivel unit.....	2.00
9213 (R-16)	Connecting rod.....	2.00
9214 (R-17)	Heel bearing screw.....	.50
9215 (R-18)	Heel base.....	2.00
9216 (R-19)	Heel pull set screw.....	.20
9217 (R-20)	Heel.....	3.30
9218 (R-21)	Threaded heel plate (under heel).....	.50
9219 (R-22)	Footboard.....	6.50
9220 (R-23)	Toe stop, with screw....	1.25
9221 (R-24)	Leather strap.....	.75
9222 (R-25)	Set screw, 7/16" thread length.....	.20
9223 (R-26)	Pedal hoop clamp, comp..	7.80
9224 (R-27)	Clamp pressure plate.....	.70
9225 (R-28)	Footboard assembly, complete: (R10-R16-R17(2)- R18-R19-R20-R21-R22-R23).	15.00

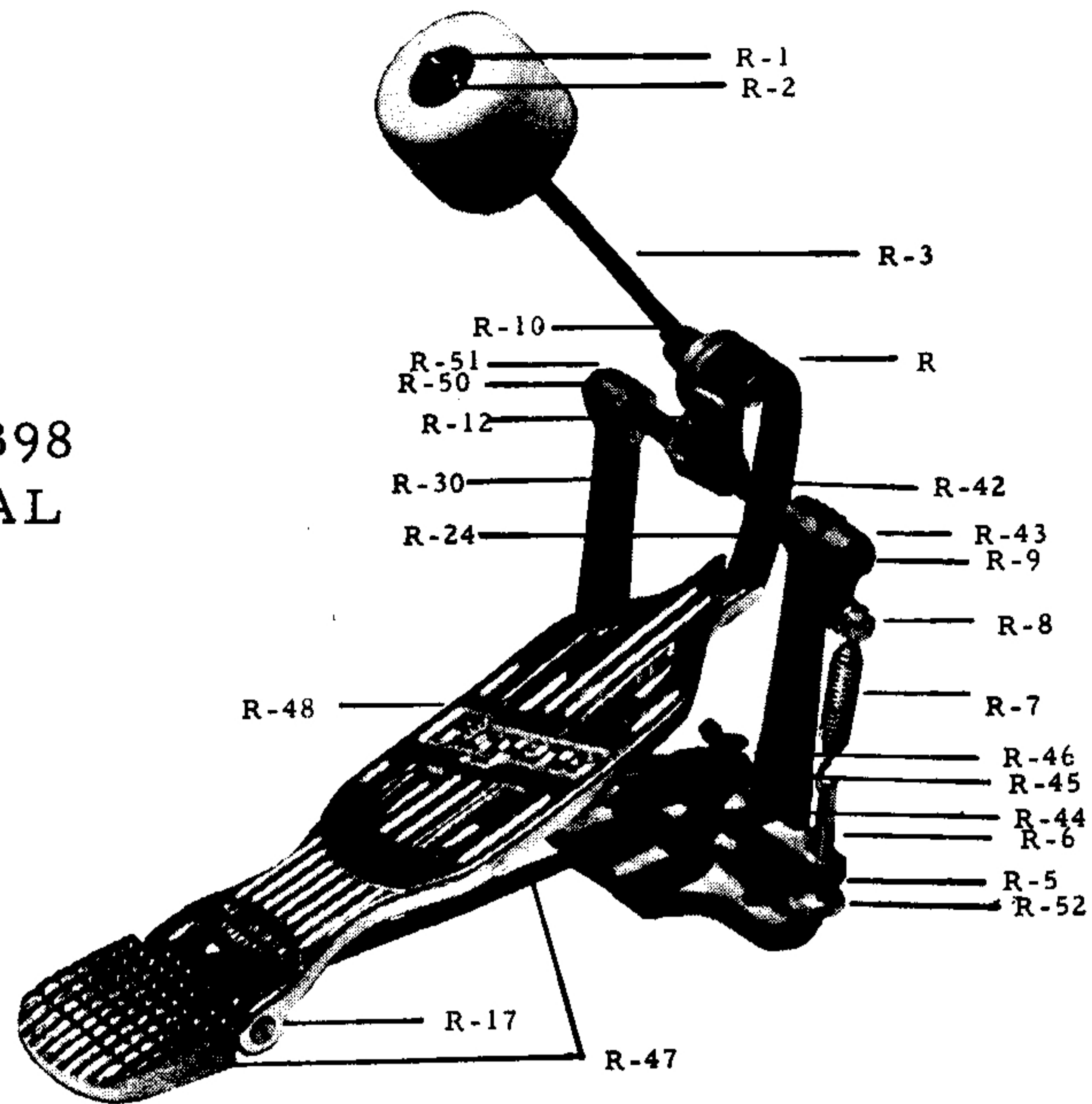
FOR
No. 396
PEDAL



Parts same as on No. 395 except:

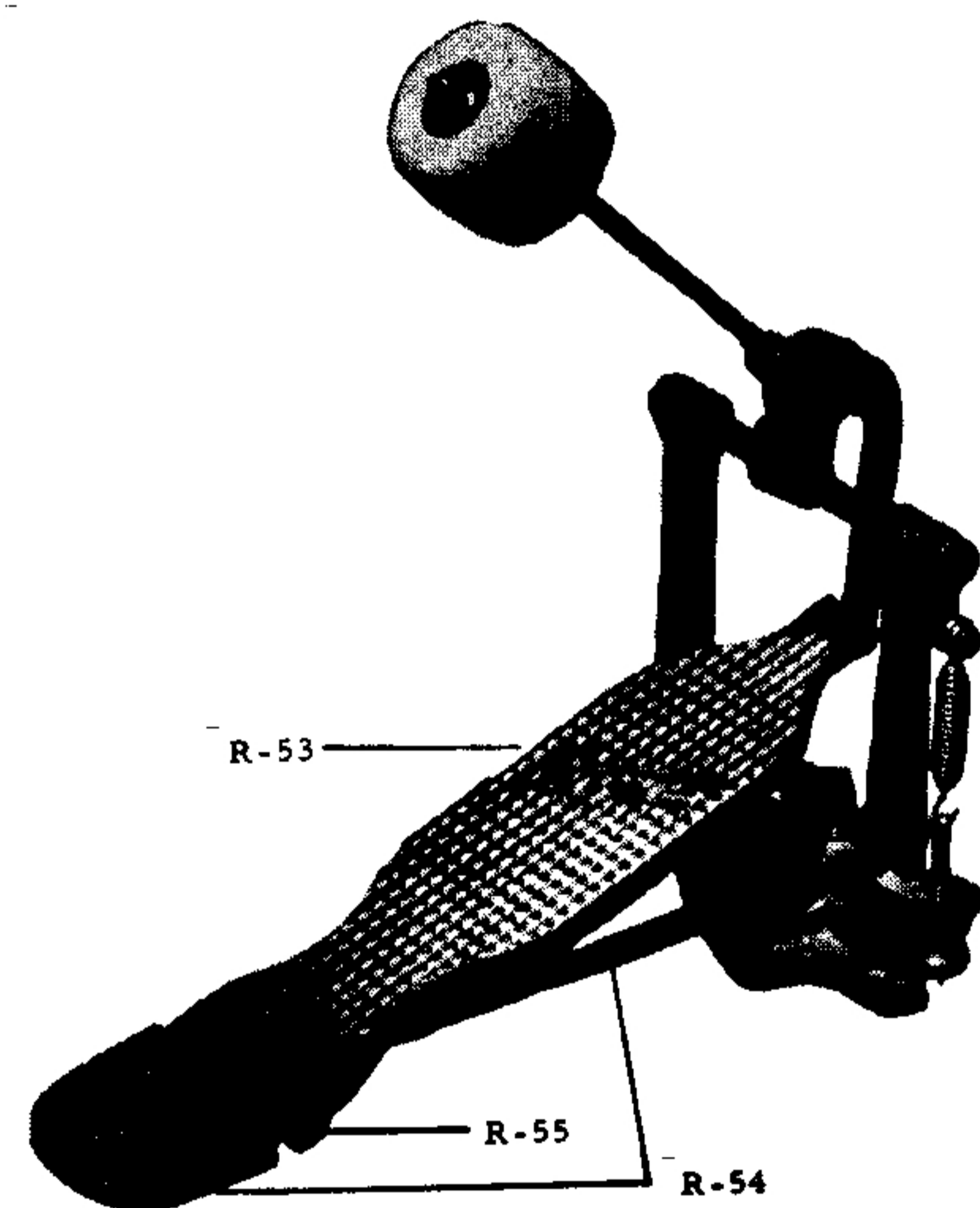
9213 (R-16)	Connecting rod specify No. 396.....	2.00
9226 (R-38)	Footboard.....	6.00
9227 (R-39)	Heel, with conn rod..	4.80
9228 (R-40)	Footboard assembly complete: R38-R39- R17(2).....	11.80

FOR
No. 398
PEDAL



Stock No.		List Each
9200 (R-1)	Pedal ball hex nut.....	\$.15
9201 (R-2)	Pedal ball washer.....	.05
4420 (R-3)	Pedal beater complete.....	2.75
9203 (R-5)	Lock washer.....	.05
9204 (R-6)	Spring adjustment screw....	.50
9205 (R-7)	Spring assembly, with hooks & bushing.....	1.20
9206 (R-8)	Cam bolt.....	.50
9207 (R-9)	Allen screw.....	.20
391 (R-10)	Set screw, 5/16" thread length.....	.15
9210 (R-12)	Pull set screw 3/8" thread length.....	.20
9214 (R-17)	Heel bearing screw.....	.50
9221 (R-24)	Leather strap.....	.75
9229 (R-41)	Beater cam, with set screw (R-10).....	3.50
9230 (R-42)	Rocker shaft rod.....	1.00
9231 (R-43)	Rocker cam.....	2.20
9232 (R-44)	Toe hoop clamp.....	1.00
9233 (R-45)	Toe clamp washer.....	.05
9234 (R-46)	Thumb screw.....	.70
9235 (R-47)	Heel, with "T" rod.....	4.50
9236 (R-48)	Footboard.....	5.50
9237 (R-49)	Footboard assembly, comp. (R-47; R-48).....	11.00
9238 (R-50)	Rocker shaft locking nut..	.15
9239 (R-51)	Rocker shaft locking screw.	.60
9240 (R-52)	Tension spring adj. nut....	.50
5201 (R-30)	Pedal standard.....	8.00

FOR
No. 399
PEDAL



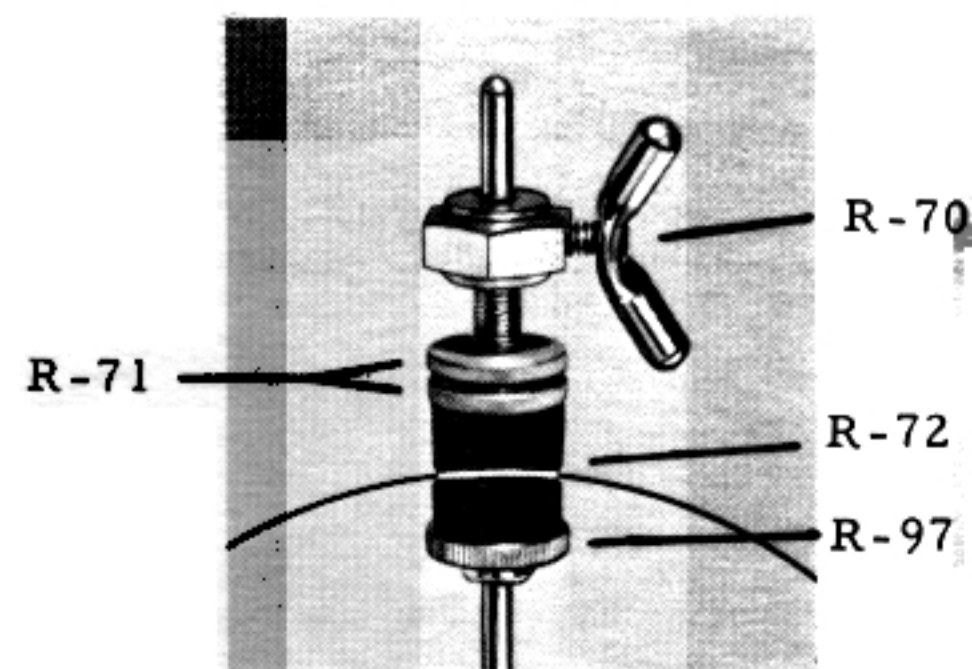
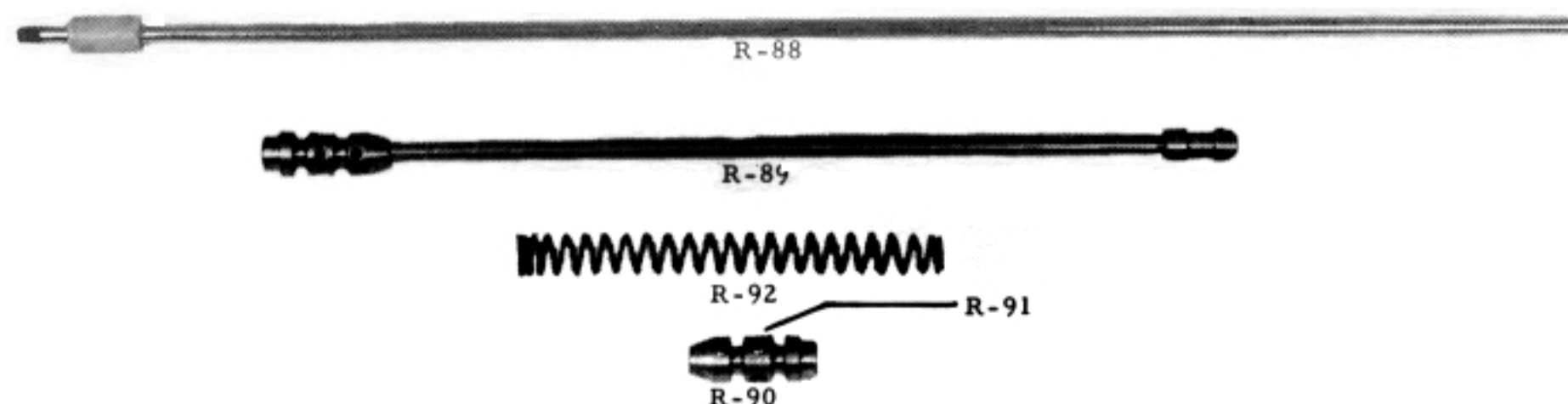
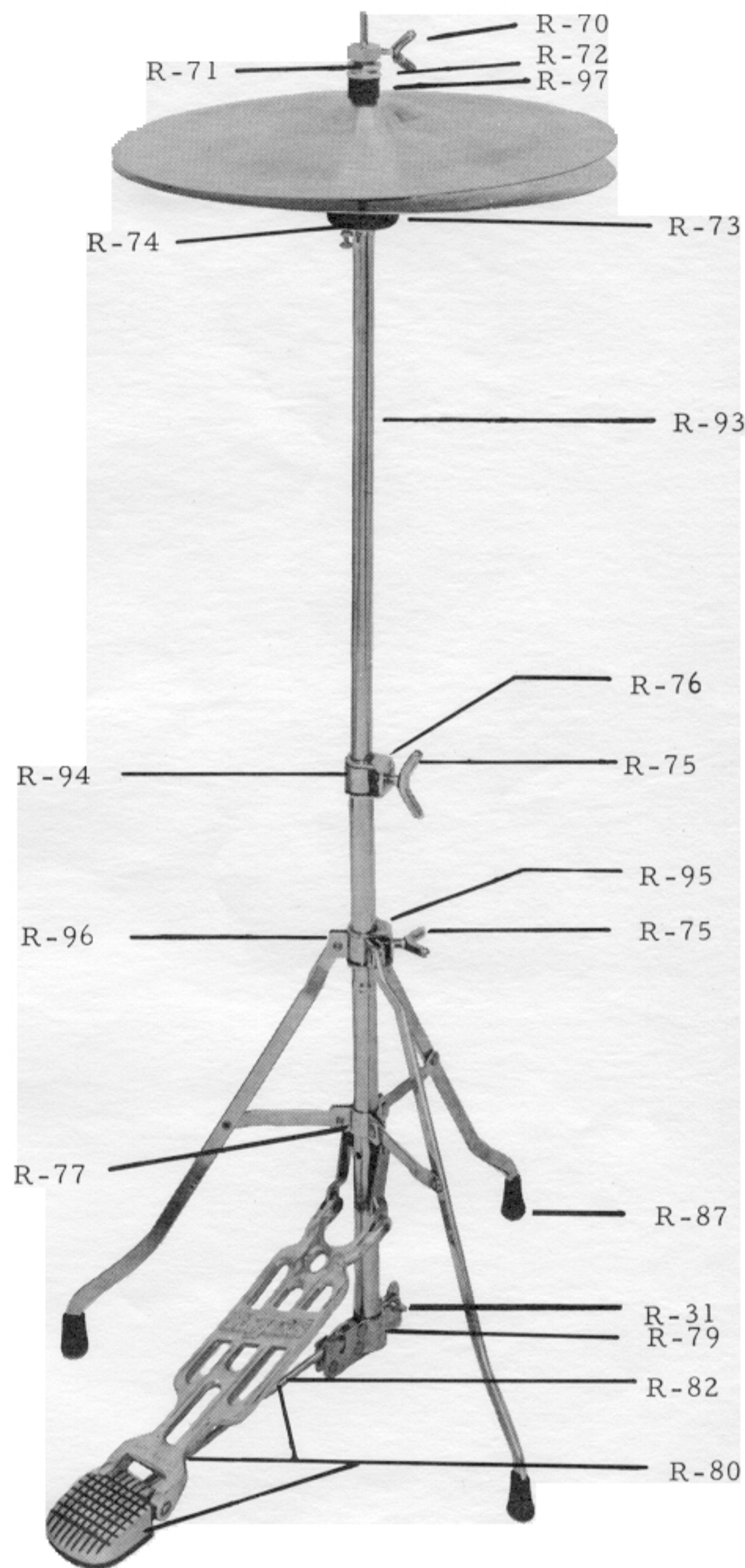
Parts same as on No. 398 except:

9241 (R-53)	Footboard.....	\$ 4.00
9242 (R-54)	Heel & "T" rod.....	4.50
7645	"T" rod only.....	1.95
9243 (R-56)	Footboard assembly complete: (R-53; R-54; R-55).....	8.50
	(R-55) Rivet (only).....	.10

HI-HAT PARTS

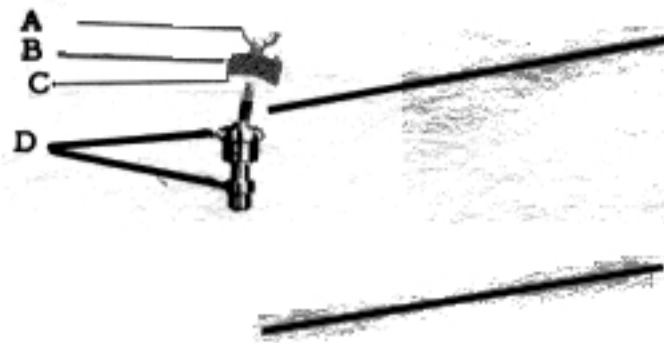
FOR 4401 & 4402 HI-HATS

Stock No.		\$
261 (R-31)	Set screw.....	.25
9244 (R-70)	Wing screw.....	.75
9245 (R-71)	Lock nut.....	.35
9246 (R-72)	Felt washer, small.....	.15
9247 (R-73)	Felt washer, large.....	.25
9248 (R-74)	Fibre washer, large.....	.15
9249 (R-75)	Wing screw.....	.75
9250 (R-76)	Upper "U" clamp.....	1.00
9251 (R-77)	Metal cross-pin with nuts....	.90
9252 (R-79)	Spur.....	.50
9253 (R-80)	Two-piece footboard (for No. 4401 Hi-Hat) complete with connecting rod.....	15.00
9254 (R-82)	Connecting rod only (for No. 4401).....	2.00
9255 (R-84)	One-piece footboard (for No. 4402)..... complete with connecting rod (not illustrated).....	15.00
9256 (R-86)	Connecting rod only (for No. 4402) (not illust.)..	2.00
4418 (R-87)	Rubber tips.....	.15
9258 (R-88)	Upper pull rod.....	1.00
9259 (R-89)	Lower pull rod, complete with coupler & threaded plug..	5.50
9260 (R-90)	Threaded plug only.....	1.50
9261 (R-91)	Allen screw (to fit threaded plug).....	.15
9262 (R-92)	Compression spring.....	.35
9263 (R-93)	Upper inside tube, with tilter.....	4.00
9264 (R-94)	Metal collar rings.....	1.00
9265 (R-95)	Lower "U" clamp.....	1.00
9267 (R-97)	Clutch retainer nut.....	.50
9268 (R-96)	Sliding leg clamps, set of 3...	1.00



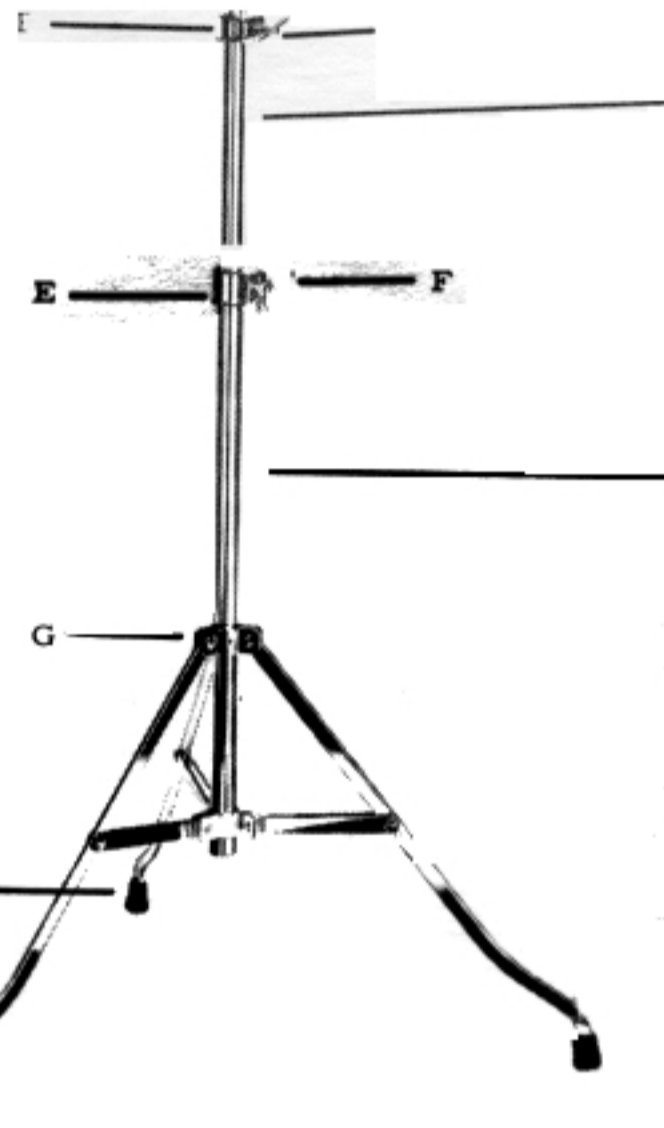
4403 FLOOR CYMBAL STAND

List Each



No. 320 Swiv-o-matic cymbal tilter (A, B, C, D).....\$ 5.00

No. 8208 Upper rod..... 1.25



No. 8201 Riser tube assembly:..... 4.00
with No. 8206 "U" clamp and 9249 wing screw

No. 8211 Lower section assembly (E, F, G, H)..... 10.50

(Order by number---not letter)

A--No. 5458 Wing nut.....	.15
B--No. 5648 Felt cymbal washer.....	.15
C--No. 5792 Metal cymbal washer.....	.25
D--No. 391 Swivo set screws.....	.15
E--No. 9250 "U" Clamp, hole sizes 3/4" & 5/8"....	1.00
F--No. 9249 Wing screw.....	.75
G--No. 9268 Sliding leg clamps (set of 3).....	1.00
H--No. 4418 Rubber tips.....	.15
I--No. 8206 "U" Clamp, hole sizes 5/8" & 3/8".....	1.00

4005 DUAL TOM TOM STAND

List Each

No. 6346 Upper section assembly..... 23.00

Note: this is same as center section
of No. 366 Dual Tom holder.

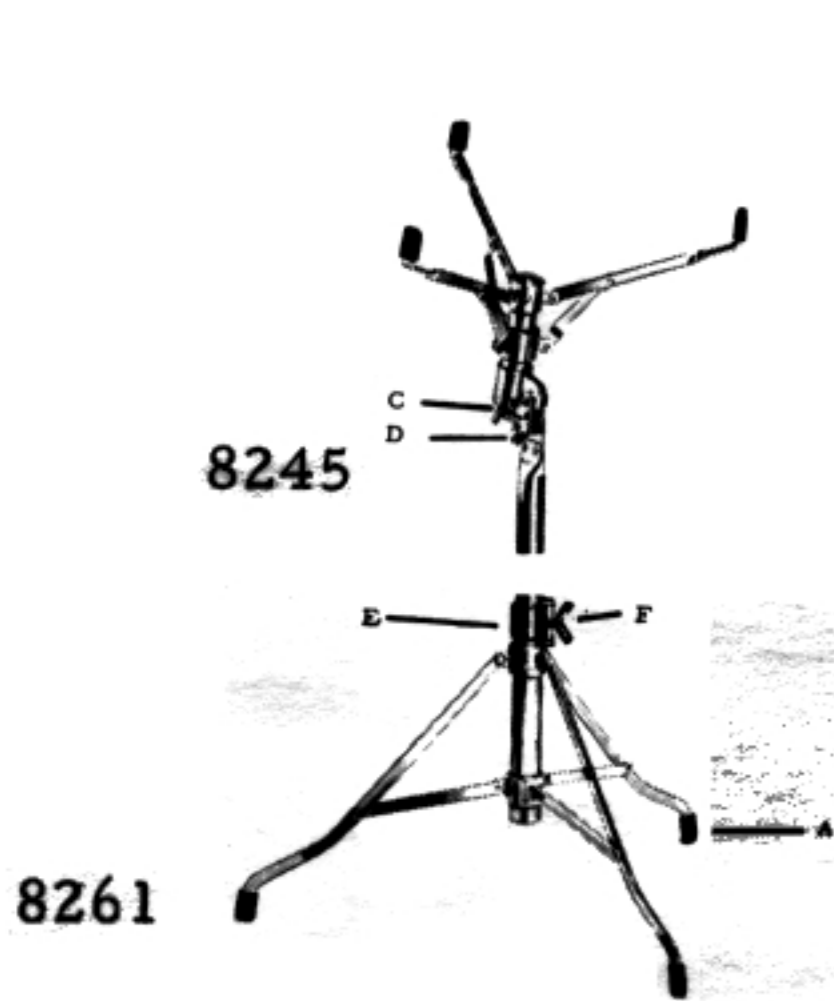
No. 8342 Lower section assembly..... 19.50

(Order by number---not letter)

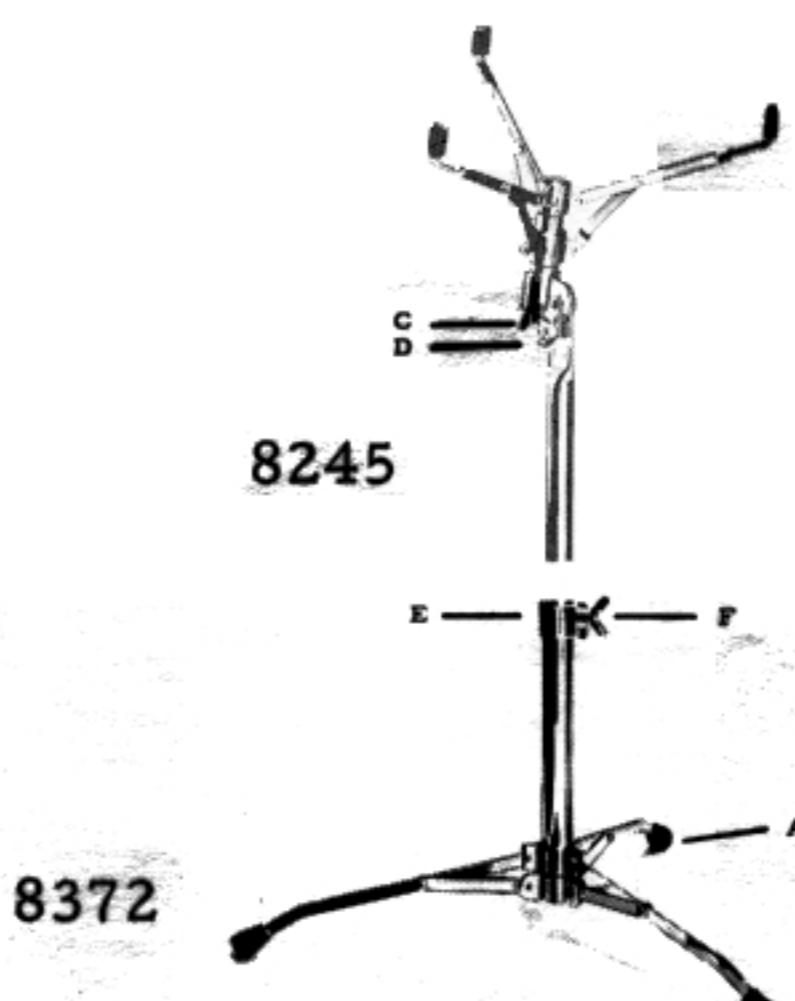
A--No. 6347 Swivo center section only.....	10.00
B--No. 313 Collet nose.....	3.50
C--No. 8290 "U" Clamp, hole sizes 1 1/8" & 5/8".....	1.00
D--No. 9249 Wing screw.....	.75
E--No. 8340 Rubber tip.....	.15

No. 6348 "T" support bar..... 10.00

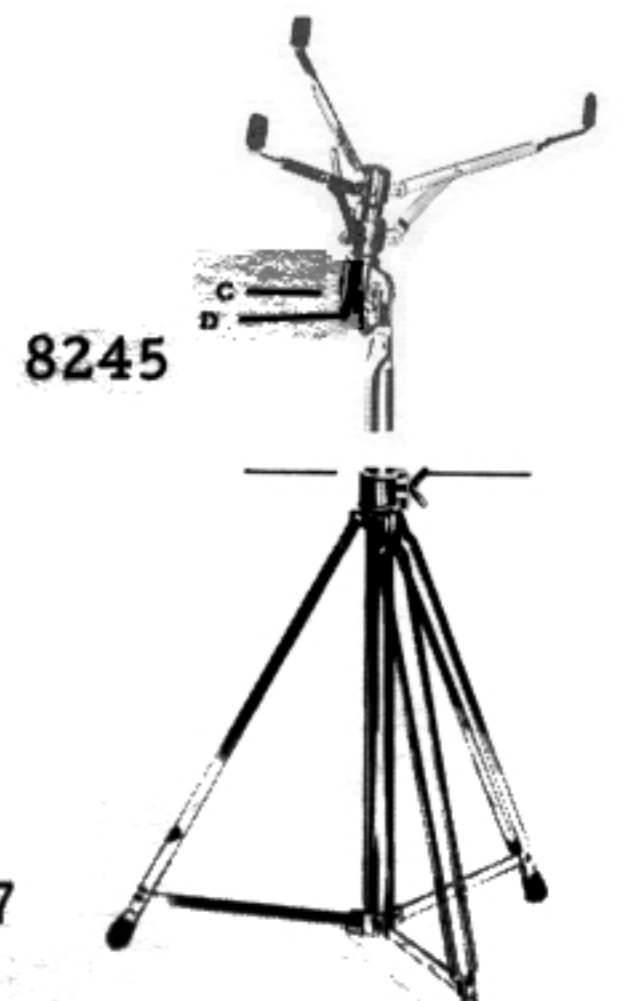
DRUM STANDS



4012 Giant

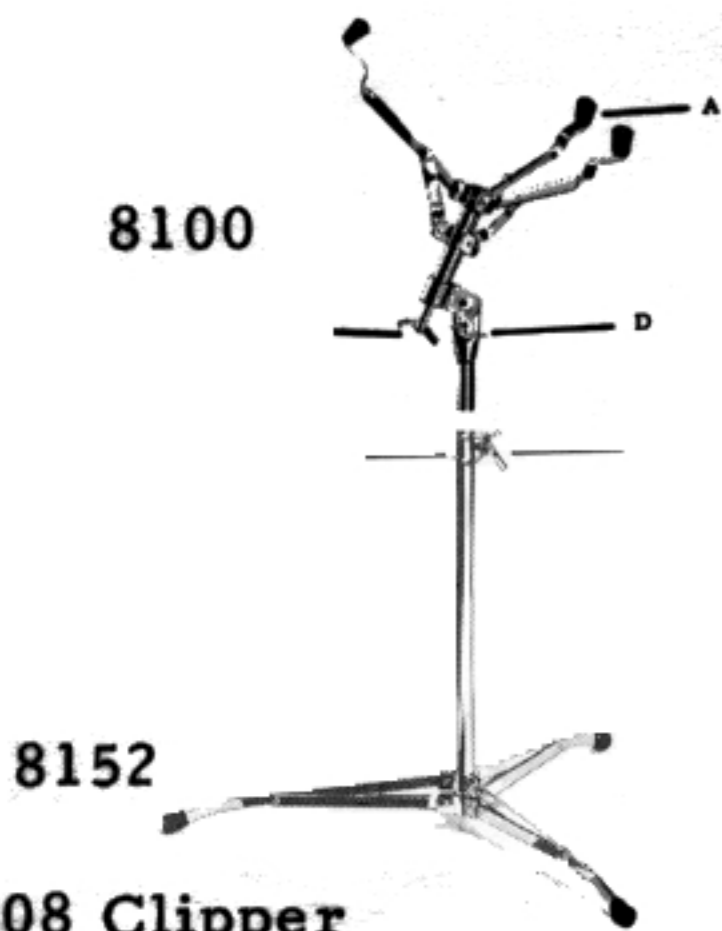


4018 Supreme

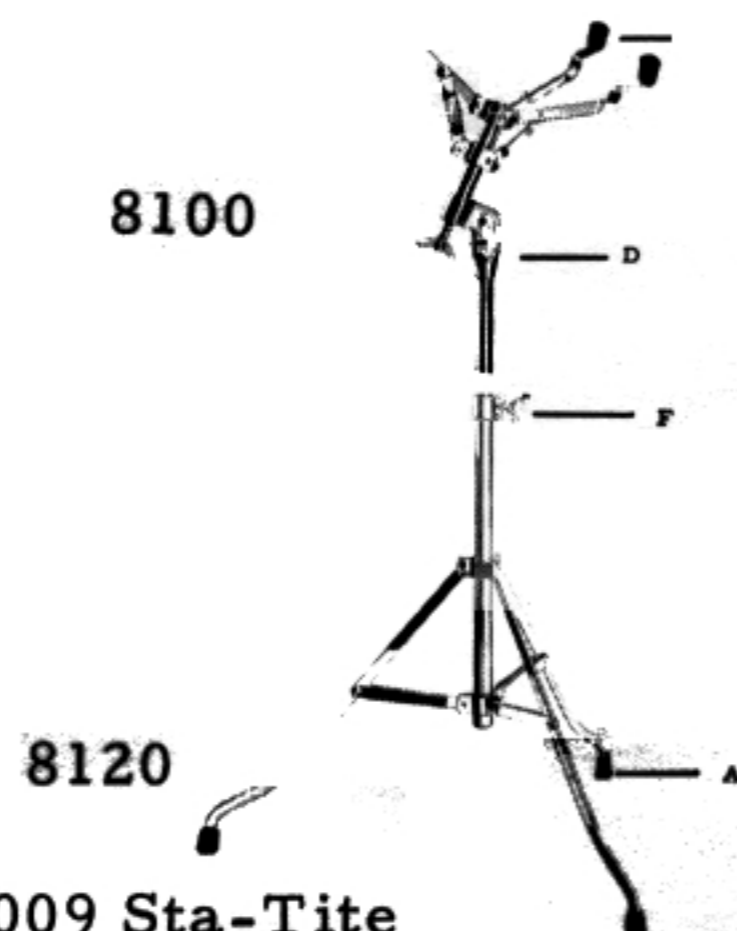


4019 Sampson

No. 8245 Upper section assembly of No. 4012, 4018 & 4019 stands.....	\$ 15.00 ea.
No. 8261 Lower section assembly of 4012 stand.....	12.50 ea.
No. 8347 Lower section assembly of 4019 stand.....	19.50 ea.
No. 8372 Lower section assembly of 4018 stand.....	10.50 ea.



4008 Clipper

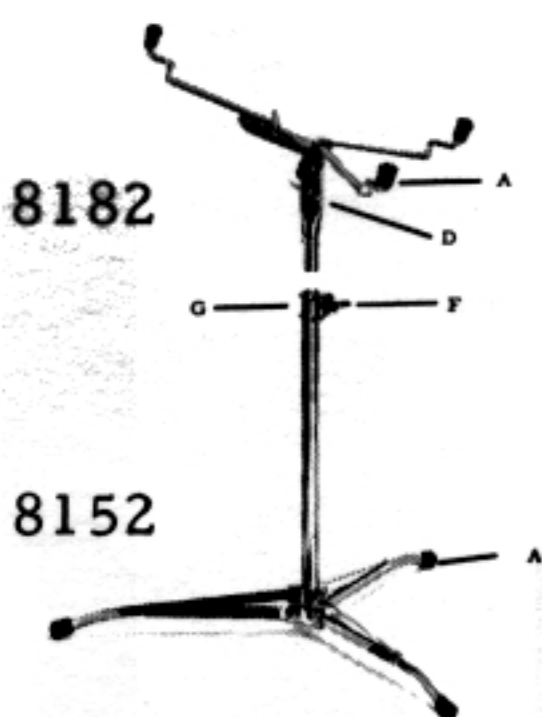


4009 Sta-Tite

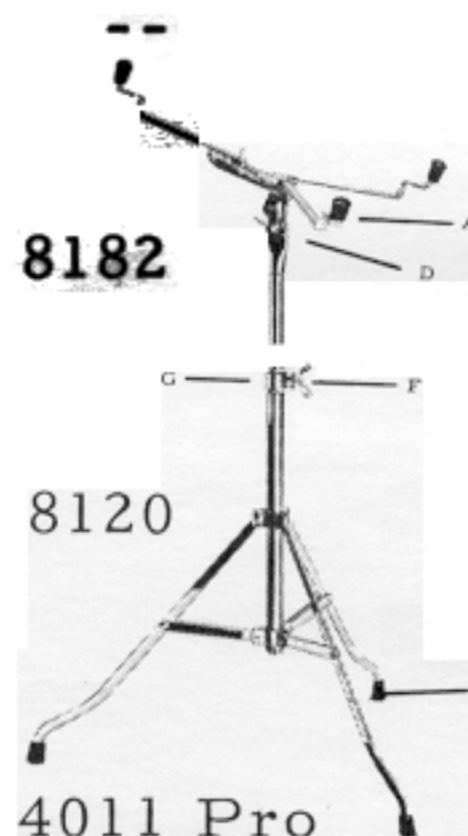
No. 8100 Upper section assembly of: 4008 & 4009 stands.....	13.00 ea.
No. 8120 Lower section assembly of: 4009 stand.....	9.50 ea.
No. 8152 Lower section assembly of: 4008 stand.....	11.00 ea.

(Order by number---not letter)

A--No. 4418 Rubber tip.....	.15 ea.
B--No. 8340 Rubber tip.....	.15 ea.
C--No. 8115 Thumb screw.....	.75 ea.
D--No. 8113 Thumb screw.....	.75 ea.
E--No. 8667 "U" clamp.....	1.00 ea.
F--No. 9249 Wing screw.....	.75 ea.
G--No. 9250 "U" clamp.....	1.00 ea.



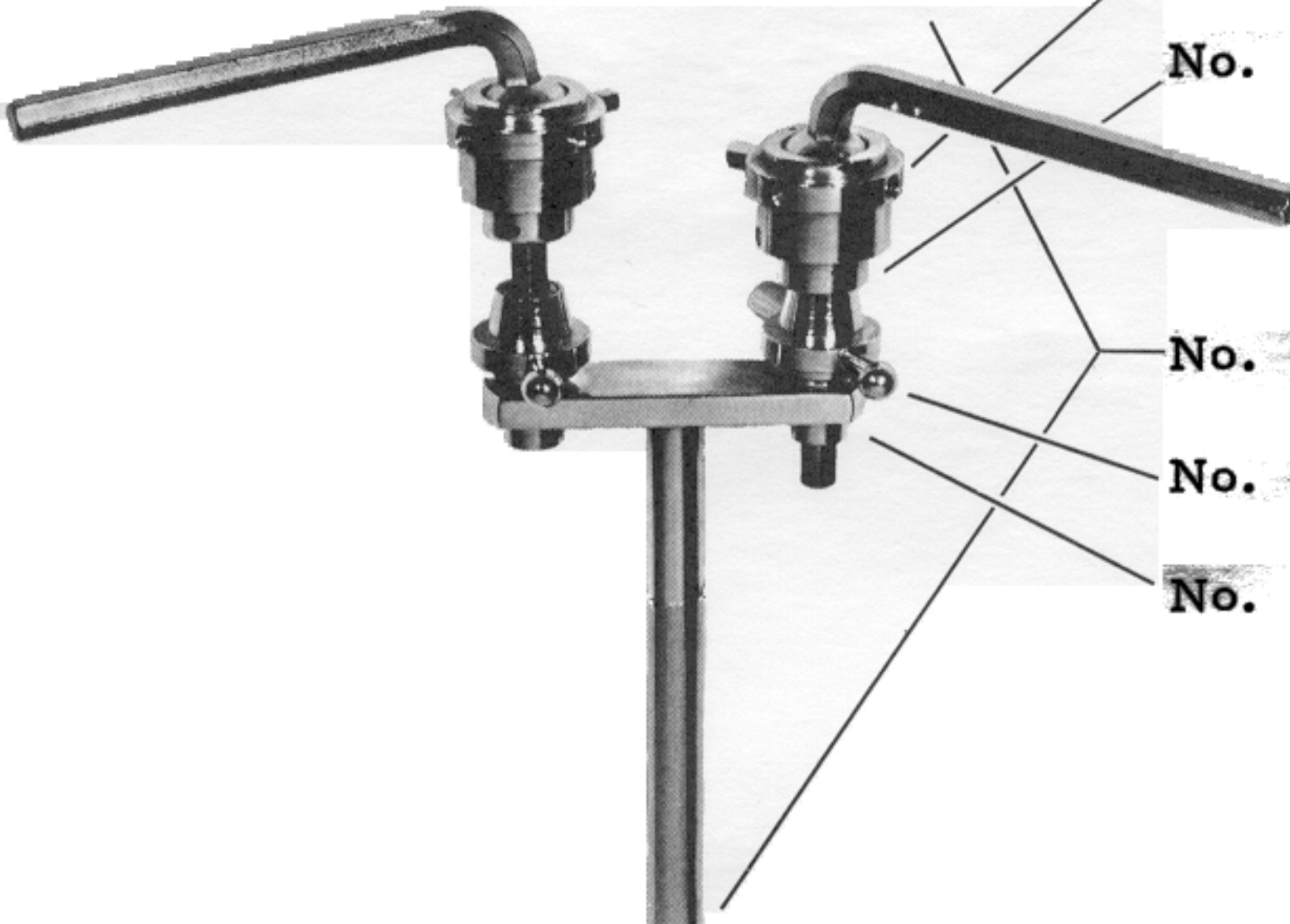
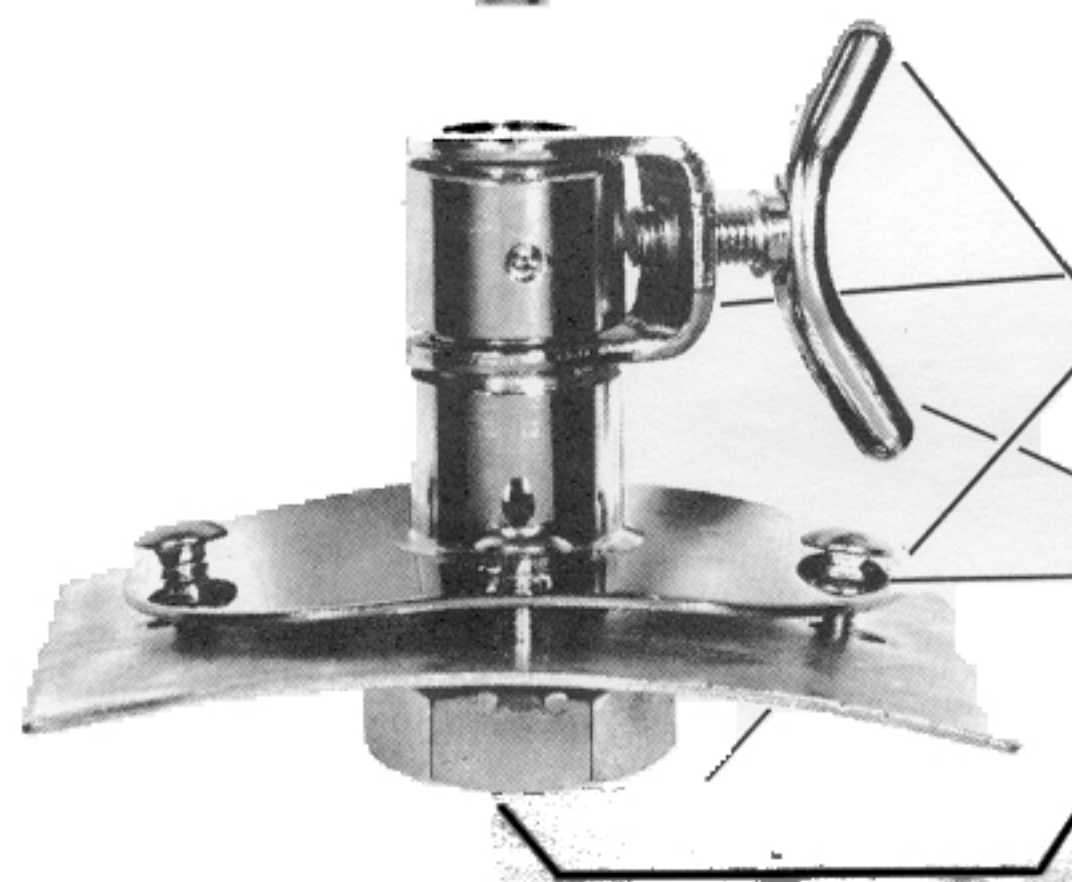
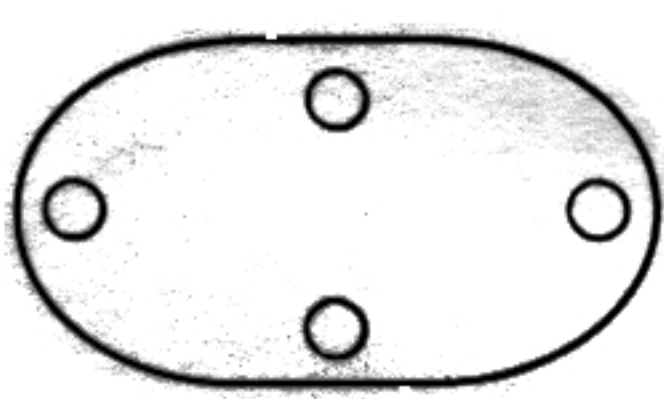
4010 Banner



4011 Pro

No. 8182 Upper section assembly of 4010 & 4011 stands.....	10.00 ea.
No. 8120 Lower section assembly of 4011 stand.....	9.50 ea.
No. 8152 Lower section assembly of 4010 stand.....	11.00 ea.

DUAL TOM TOM HOLDER PARTS

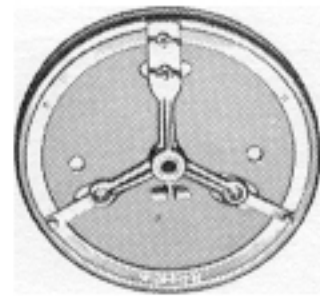
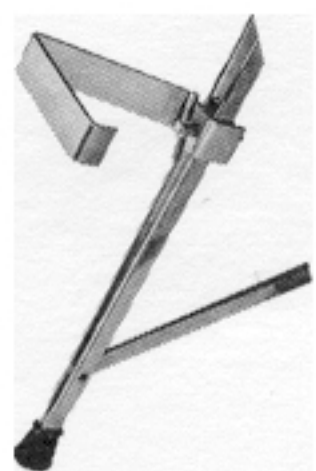
	List Price Each
 No. 391 Set Screw.....	\$.15
No. 6347 Swivo Center Section.....	10.00
No. 6346 Center Assembly.....	23.00
No. 313 Collet Nose.....	3.50
No. 6348 "T" Support Bar.....	10.00
 No. 8003 "U"-Clamp.....	1.00
No. 6345 Receiving Unit for Dual tom holder	9.50
No. 9249 Wing Screw.....	.75
No. 9197 Carriage Bolts..... (set of four)	1.00
No. 6416 Hex Nut.....	.50
No. 6487 Reinforcing Plate	2.00
 No. 9292 Blank Plate..... (with 4 bolts)	3.00

4200 SAMPSON THRONE



List Price
Each

No. 6656 Throne Seat Assembly.....	\$ 22.50
(with reinforcing spider frame)	
No. 5458 Wing Nut.....	.15
No. 8286 Threaded Rod only.....	6.00
No. 6708 Thumb Screw.....	.75
No. 5207 Clamp Nut only.....	3.50
No. 8226 Throne Base only.....	22.50
(tri-pod with rubber tips)	
No. 8340 Rubber tips.....	

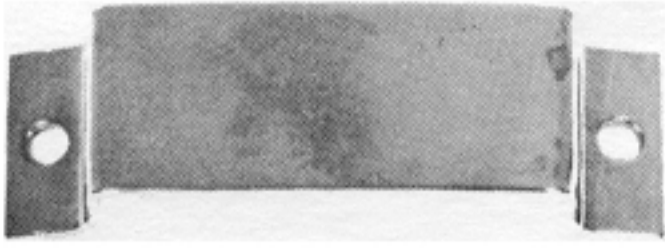
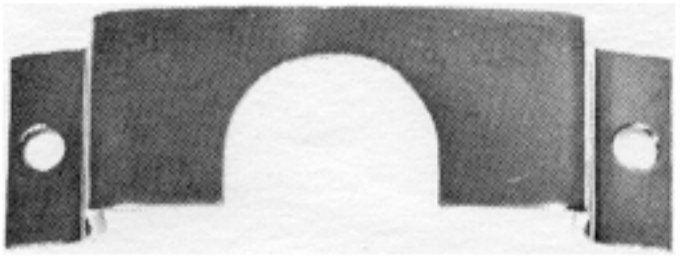

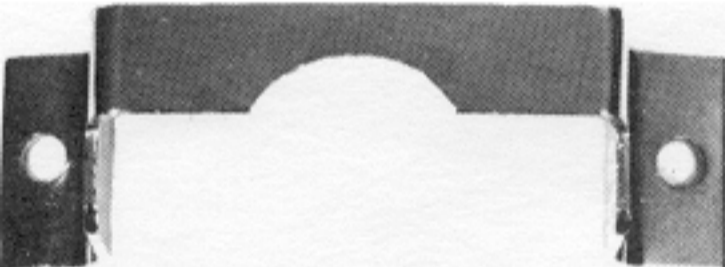

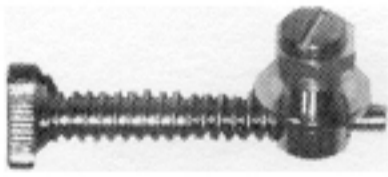




No. 8293 Reinforcing Spider Frame...	9.00
(frame only)	

No. 865 Back Rest

No. 4201 Heel Rest.....

DYNA-SONIC SNARE DRUM PARTS

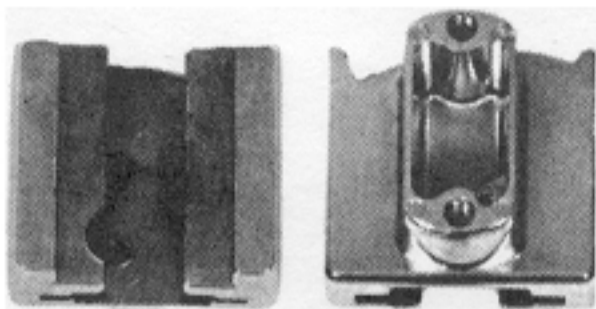
		List Price Each
	No. 9324 Snare Guard (back plate side)..... (for Dyna-sonic snare drums with wire snare assembly; with mounting screws and washers)	\$ 1.00
	No. 9325 Snare Guard (strainer side)..... (for Dyna-sonic snare drums with wire snare assembly; with mounting screws and washers)	1.00
	No. 9326 Snare Guard (back plate side)..... (for Dyna-sonic snare drums with nylon or gut snare assembly; with mounting screws and washers)	1.00
	No. 9327 Snare Guard (strainer side)..... (for Dyna-sonic snare drums with nylon or gut snare assembly; with mounting screws and washers)	1.00
	No. 5678 Back Plate Assembly..... (with screws and washers)	2.50
	No. 5664 Back Plate.....	1.50
	No. 5663 Back Plate Cover.....	1.00
	No. 9291 Tension Screw Assembly..... (tension screw, spring, retainer housing for Dyna-sonic wire ass.)	2.50
	No. 6816 Spring for above tension screw...	.15
	No. 7535 Tension screw..... (for Dyna-Sonic nylon or gut assy.)	1.50
	No. 4466 Dyna-sonic Wire Snares (14").....	6.00
	No. 4467 Dyna-sonic Wire Snares (15").....	6.00

SNARE STRAINERS



List Price
Each

No. 's 389 & 390 Snare Strainers..... \$ 13.50



No. 5209 Strainer Housing.....



No. 5272 Boss Screw..... .15



No. 7556 Handle (short for 5 x 14 snare)..... 1.25

No. 7559 Handle (long for 6 1/2 x 14 snare.... 1.50



No. 6542 Cam & Tension Screw Sub-Assy..... 4.50
(for No. 389 Strainer)

No. 6540 Cam & Tension Screw Sub-Assy.....
(for No. 390 Strainer)



No. 5210 Face Plate Slide..... 3.50



No. 5663 Cover for Face Plate Slide....



No. 2460 Face Plate Slide Screws (2).....

No. 5412 Mounting Screws (to shell,
8/32 x 5/8)..... .15

No. 5781 Lock Washer..... .05

No. 2401 Flat Washer (#10).05

No. 6411 Nylon Snare Cord--Package of
eight 13" lengths.....



- No. 6343 Cymbal Arm (as used with #252 cymbal holder)....
- No. 391 Set Screw.....
- No. 320 Tilter.....
- No. 391 Set Screw.....
- No. 391 Set Screw.....

List Price
Each
\$ 9.50
.15
5.00
.15
.15



- No. 5458 Wing Nut.....
- No. 5648 Felt Cymbal Washer.....
- No. 5792 Metal Cymbal Washer.....
- No. 332 Hex Rod (as used with #330 & 331 cymb. holder).....
(complete with wing nut, felt & metal washer)

.15
.15
.25
3.25

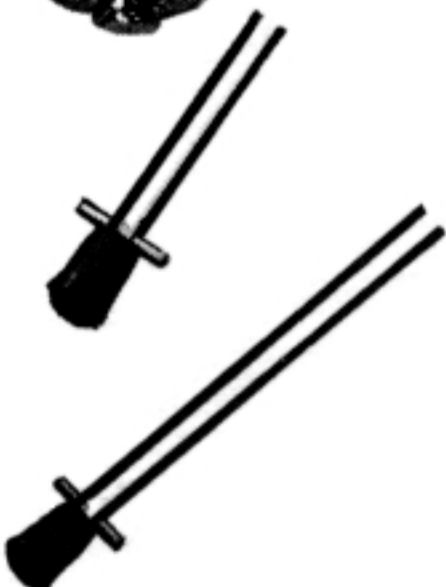


- No. 5629 "L" Shaped Arm only (not threaded).....
as used with: #280 cowbell holder
#288 stick tray assembly
#359 hi-hat mount



- No. 9197 Carriage bolts (with washers & nuts, set of 4).....
(for mounting of collet plates & knobby units)



1.00

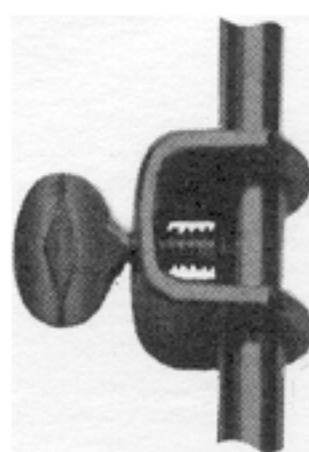


- No. 5615 Spur rod only (as used with #338 spurs).....
(With rubber tip)
- No. 5616 Spur rod only (as used with #340 spurs).....
(With rubber tip)

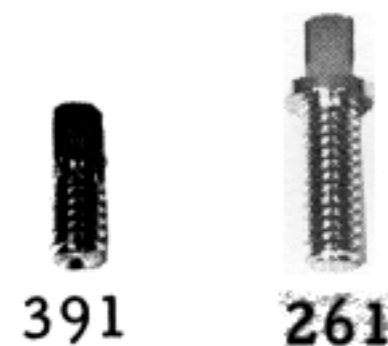
- No. 5845 Felt Strip for bass drum.....

1.50

No. 5737 Knobby leg (as used with #275 set)..... (with rubber tip---without knobby unit)	\$ 3.60
No. 5605 Knobby leg (as used with #276 set)..... (with rubber tip---without knobby unit)	4.50
No. 5614 Straight tom leg (as used with #4416 set)..... (with rubber tip---without bracket)	3.00
No. 5613 Flare tom leg (as used with #4256 set)..... (with rubber tip---without bracket)	
 No. 4418 Rubber tip (as used on tom legs, spurs, etc.).	
 No. 8340 Rubber tip (as used on drum thrones and all stands equipped with tri-pod base).....	



No. 4796 "U" Clamp only, with screw.....
(for cowbell holders)



No. 391 Swivo set screw (as used on Swivo tom holders, etc.).....

No. 261 Knobby pull set screw (as used on knobby plates, etc.).....



No. 4232 Thumb screw (thread length 1/2")....

No. 4233 Thumb screw (thread length 3/4").



No. 3469 "T" Hook Clamp (flat sided, threaded).. .50

No. 3470 Lock Washer..... .10

No. 3471 Wing Nut15

No. 3472 Complete "T" Hook Assembly..... .75

No. 5834 Leather Thongs, 24" for leg strapping... .60

Key Tension Rods \$.75 List Price Each

No. 9356 1-1/2" long (for 5 x 14 snare drums, 8 x 12 & 9 x 13 toms, concert tom toms, and 8 x 15 snare drums)

No. 9357 2" long (for Rogers Bongos)

No. 9370 2-1/4" long (for all tom toms and parade drums with dual row of lugs)

No. 9358 2-1/2" long (for Rogers Timbales)

No. 9359 3" long (for Tower model 8 x 12 tom toms)

No. 9360 3-1/2" long (for Tower model 9 x 13 tom toms) (for Dyna-sonic & Powertone 10 x 26 & 10 x 28 Scotch drums & rudimental bass drums)

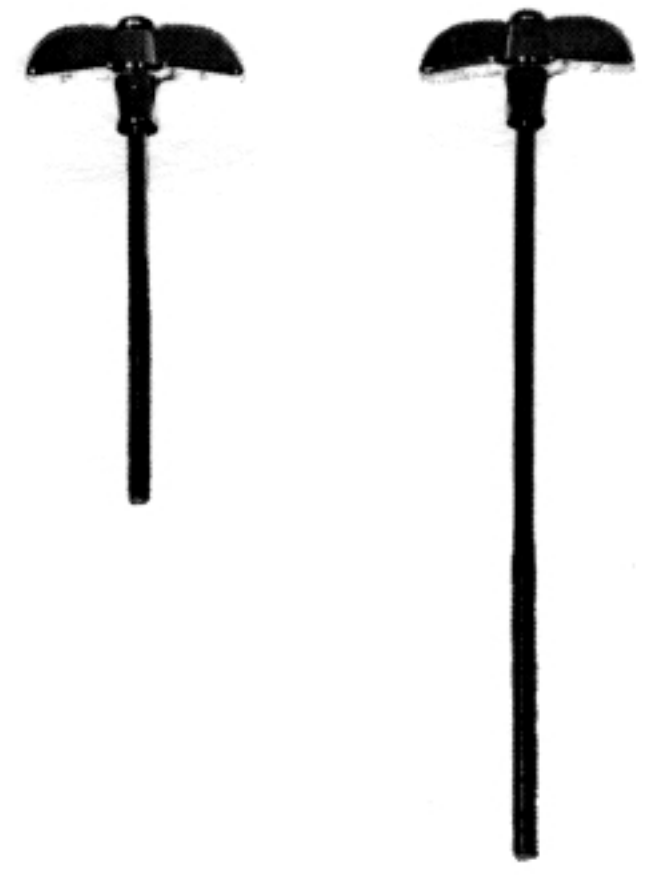
No. 9364 5-1/2" long (for Tower model 14 x 14 floor tom toms)



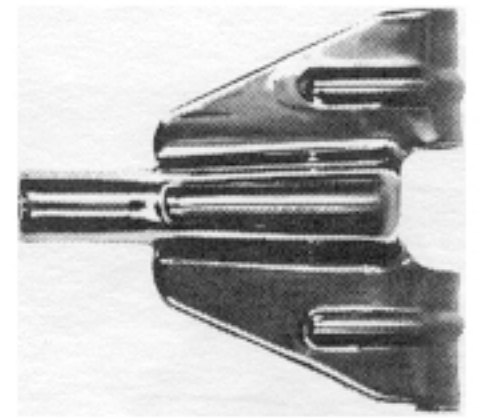
"T" Handle Rods

No. 6408 3 3/4" long (for all dual row bass drums)..... \$ 1.75 each

No. 6409 7" long (for Tower model bass drums)..... 2.00 each



No. 2286 Double Claw Hooks (not threaded) (as used on Holiday & Tower bass drums and all marching bass drums)..... 1.00 each



2295 Washers (for all drum rods)... .40 doz.

Bass Drum Eye Bolts (Sling hooks for marching bass drums)
No. 6756..... 1.00 each



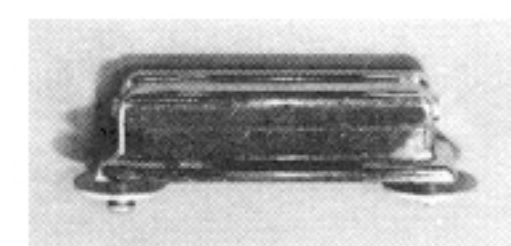
4454 Sling hook (for parade drums)..... .25 each



Rogers Lugs

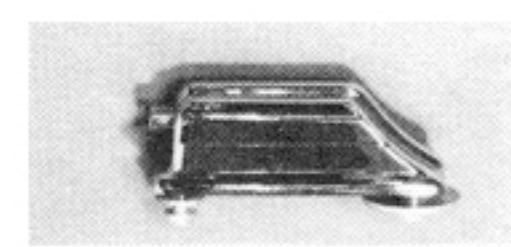
All lugs supplied with springs, lug nuts and mounting screws

No. 9316 Large Center Lug (for bass or scotch drums)..... \$ 1.70 each



No. 9315 Large Center Lug (for parade drums)..... 1.70 each

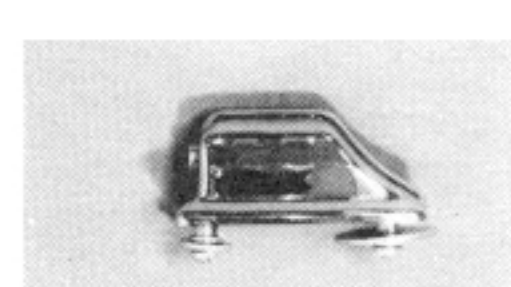
9318 Large Beavertail Lug (for bass drum)..... 1.70 each



No. 9320 Small Center Lug (for snare drum or small tom toms)..... 1.70 each



No. 9322 Small Beavertail Lug (for tom tom, parade drum and concert snare drum)..... 1.70 each



List Price
Each

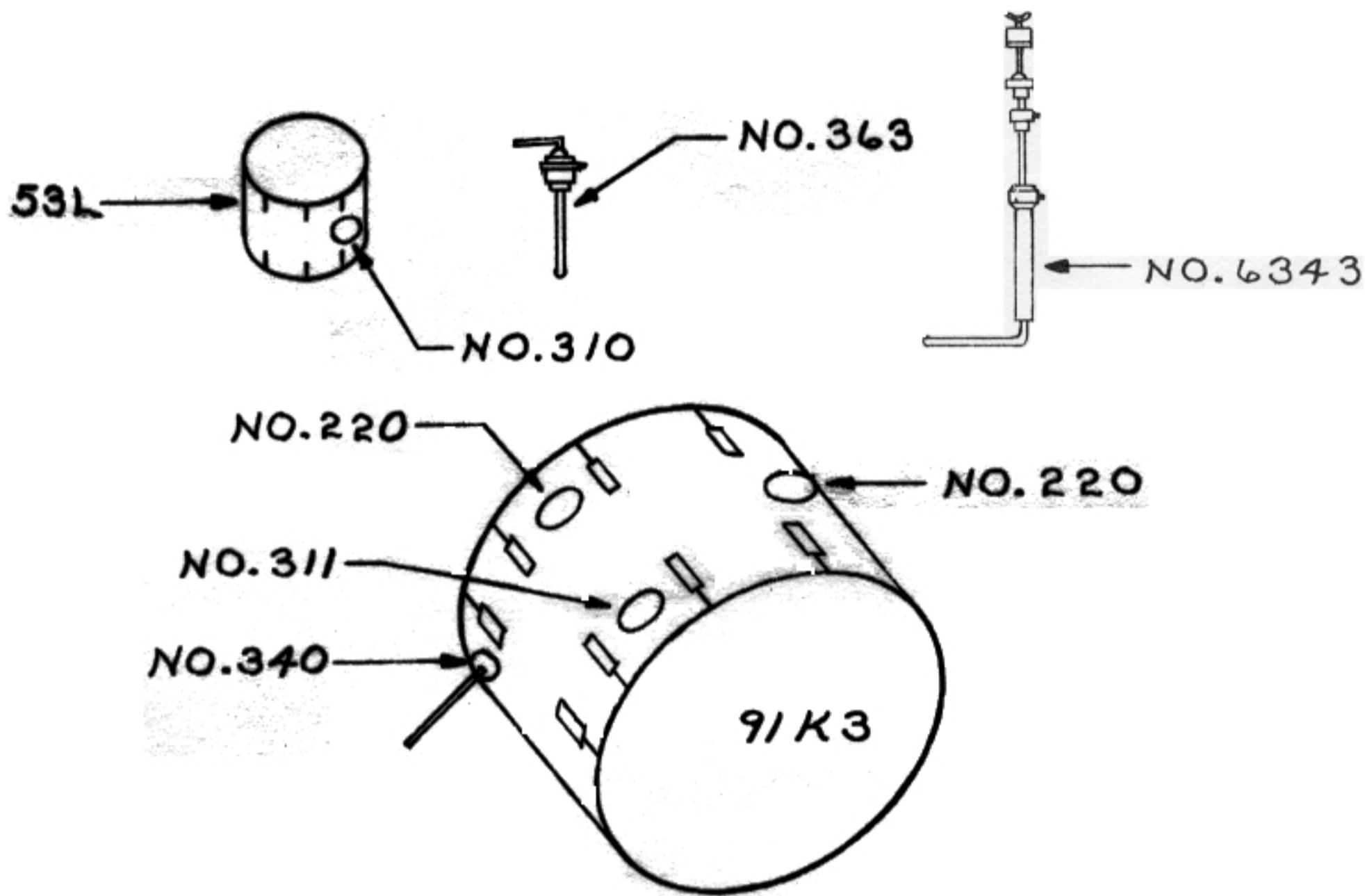
Triple Flange Metal Counter Hoops

No. 9000	12" diameter---6 ears..... (top & bottom for 8 x 12 toms)	10.00
No. 9001	13" diameter---6 ears..... (top & bottom for 9 x 13 toms) (top for "Skinny" drum)	10.00
No. 6869	13" diameter---6 ears..... (snare side for "Skinny" drum)	10.00
No. 9004	14" diameter---8 ears..... (batter side for all Powertone and Tower snare drums) (top & bottom for 14 x 14 toms)	10.00
No. 9005	14" diameter---8 ears..... (snare side for Powertone and Tower snare drums)	10.00
No. 9006	14" diameter---10 ears..... (batter side for Dyna-sonic)	10.00
No. 9007	14" diameter---10 ears..... (snare side for Dyna-sonic)	13.50
No. 9008	15" diameter---8 ears..... (batter side for Powertone and Tower 12 x 15 Parade drums)	10.00
No. 9009	15" diameter---8 ears..... (snare side for Powertone and Tower 12 x 15 Parade drums)	10.00
No. 9010	15" diameter---10 ears..... (batter side for Dyna-sonic)	10.00
No. 9011	15" diameter---10 ears..... (snare side for Dyna-sonic)	13.50
No. 9012	16" diameter---8 ears..... (top & bottom for 16 x 16 toms) (top & bottom for 12 x 16 tenors)	10.00

BASS DRUM WOOD COUNTER HOOPS

		List Price
		<u>Each</u>
No. 9047	18" diameter---Plain.....	\$ 7.50
No. 9048	18" diameter---Pearl Inlay.....	9.50
No. 9050	20" diameter---Plain.....	8.00
No. 9051	20" diameter---Pearl Inlay.....	10.00
No. 9053	22" diameter---Plain.....	8.50
No. 9054	22" diameter---Pearl Inlay.....	10.50
No. 9056	24" diameter---Plain.....	9.00
No. 9057	24" diameter---Pearl Inlay.....	11.00
No. 9062	26" diameter---Plain.....	9.50
No. 9060	26" diameter---Pearl Inlay.....	11.50
No. 9065	28" diameter---Plain.....	10.50
No. 9063	28" diameter---Pearl Inlay.....	12.50

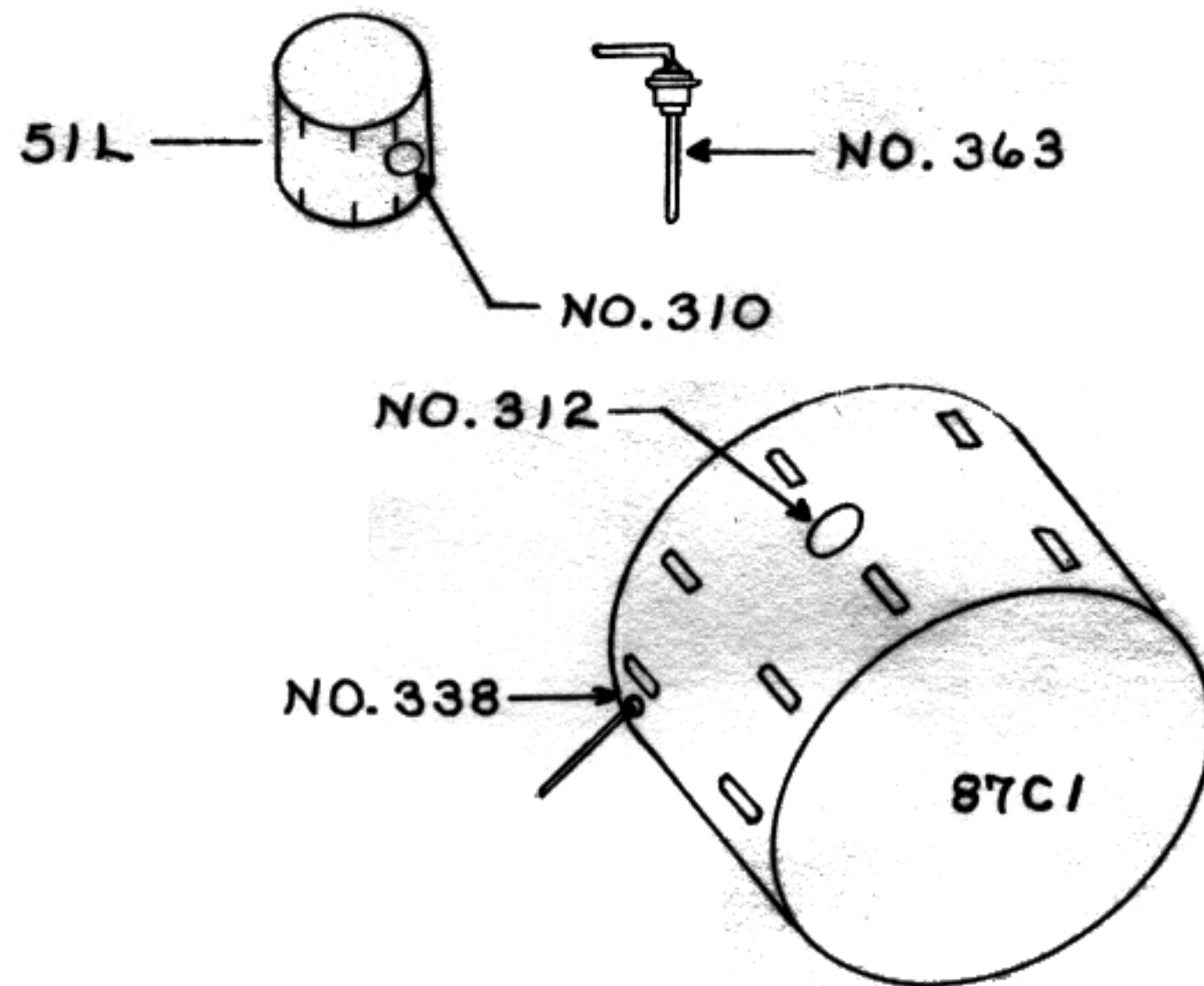
Bass Drum And Tom Tom Assembly



	<u>List Price</u> <u>Each</u>
91K3 Holiday 14 x 22 Bass Drum Assembly.....	\$ 183.00
1-91 Bass Drum.....	152.00
1 Pr. 340 Spurs---Mounted.....	12.50
2-220 Knobby Units---Mounted.....	12.00
1-311 Collet Plate---Mounted.....	6.50
No. 87K3 Holiday 14 x 20 Bass Drum Assembly.....	171.00
Same as above but with No. 87 Bass Drum and No. 338 Spurs	
No. 93K3 Holiday 14 x 24 Bass Drum Assembly.....	191.00
Same as above but with No. 93 Bass Drum and No. 340 Spurs	
No. 53L Holiday 9 x 13 Tom Tom Assembly.....	86.00
1-53 Tom Tom.....	80.00
1-310 Collet Plate---Mounted.....	6.00
No. 51L Holiday 8 x 12 Tom Tom Assembly.....	82.00
1-51 Tom Tom.....	76.00
1-310 Collet Plate---Mounted.....	6.00
No. 6343 Cymbal Arm.....	9.50
363 Center Section for Tom Holder.....	10.00

FOR CITADEL OUTFIT NO. 2845

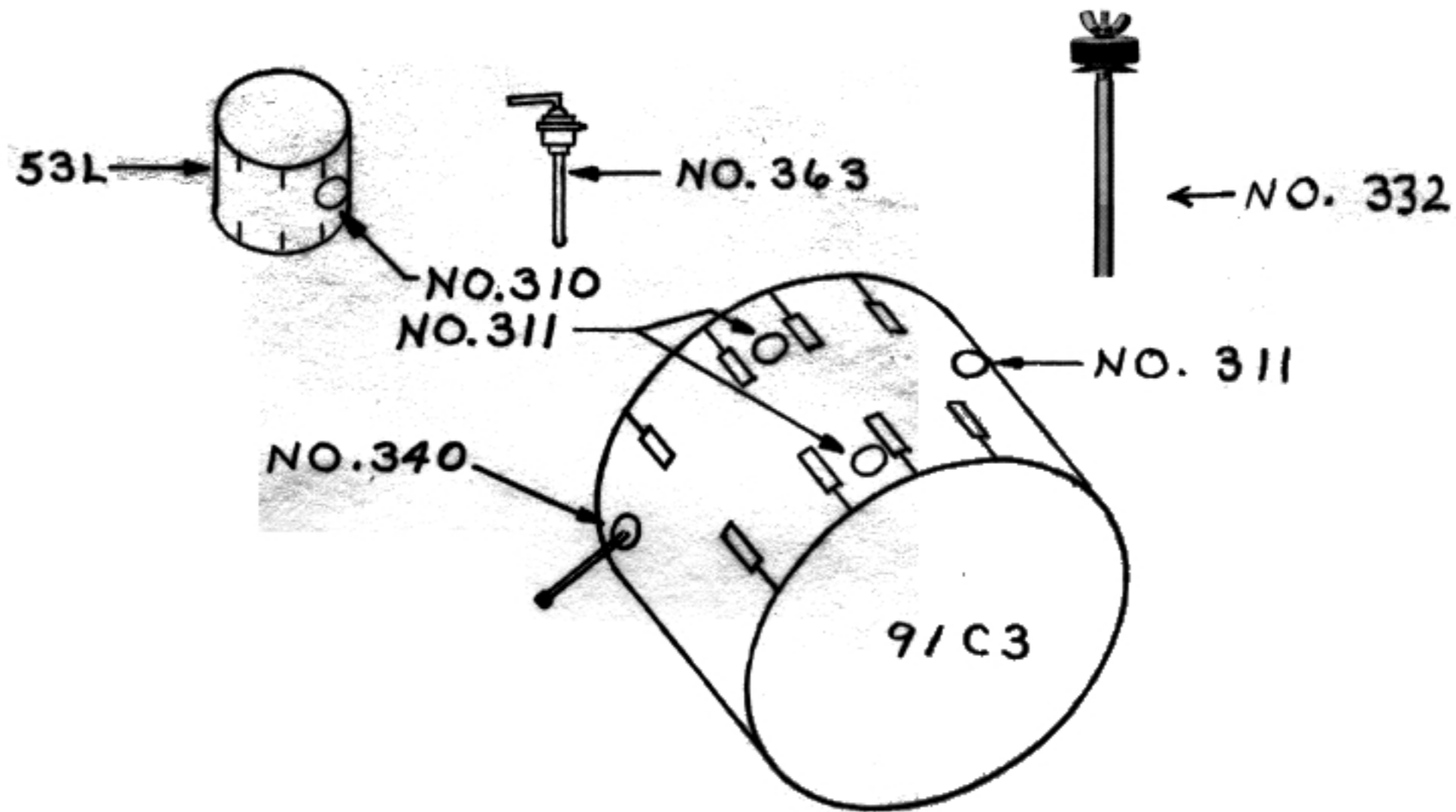
Bass Drum And Tom Tom Assembly



	<u>List Price</u>
	<u>Each</u>
No. 87C1 Holiday <u>14 x 20</u> Bass Drum Assembly.....	\$159.00
1-87 Bass Drum.....	140.00
1 Pr. 338 Spurs---Mounted.....	12.50
1-312 Collet Plate---Mounted.....	6.50
No. 91 Holiday <u>14 x 22</u> Bass Drum Assembly.....	176.00
Same as above but with No. 91 Bass Drum and No. 340 Spurs	
93C1 Holiday <u>14 x 24</u> Bass Drum Assembly.....	184.00
Same as above but with No. 93 Bass Drum and No. 340 Spurs	
51L Holiday <u>8 x 12</u> Tom Tom Assembly.....	82.00
1-51 Tom Tom.....	76.00
1-310 Collet Plate---Mounted.....	6.00
No. 53L Holiday <u>9 x 13</u> Tom Tom Assembly.....	86.00
1-53 Tom Tom.....	80.00
1-310 Collet Plate---Mounted.....	6.00
363 Center Section for Tom Holder.....	10.00

FOR CONSTELLATION DRUM OUTFIT NO. 2852

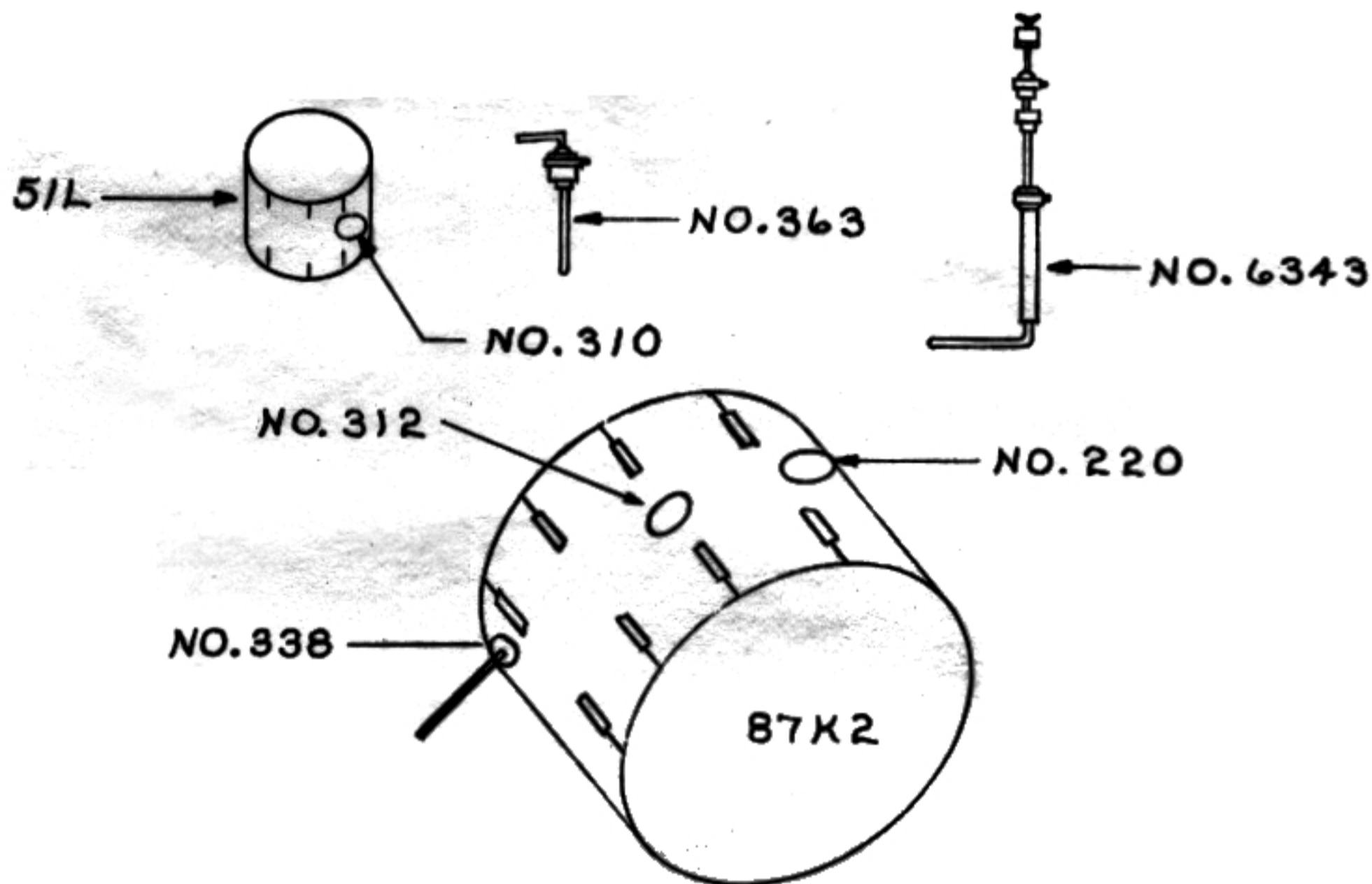
Bass Drum And Tom Tom Assembly



	<u>List Price</u>
	<u>Each</u>
91C3 Holiday <u>14 x 22</u> Bass Drum Assembly.....	\$ 184.00
1-91 Bass Drum.....	152.00
1 Pr. 340 Spurs---Mounted.....	12.50
3-311 Collet Plates---Mounted.....	19.50
 No. 87C3 Holiday <u>14 x 20</u> Bass Drum Assembly.....	 172.00
Same as above but with No. 87 Bass Drum and No. 338 Spurs	
 No. 93C3 Holiday <u>14 x 24</u> Bass Drum Assembly.....	 192.00
Same as above but with No. 93 Bass Drum and No. 340 Spurs	
 No 53L Holiday <u>9 x 13</u> Tom Tom Assembly.....	 86.00
1-53 Tom Tom.....	80.00
1-310 Collet Plate---Mounted.....	6.00
 51L Holiday <u>8 x 12</u> Tom Tom Assembly.....	 82.00
1-51 Tom Tom.....	76.00
1-310 Collet Plate---Mounted.....	6.00
 No. 363 Center Section for Tom Holder.....	 10.00
 332 Hex Cymbal Rods.....	 3.25

FOR HEADLINER DRUM OUTFIT NO. 2806

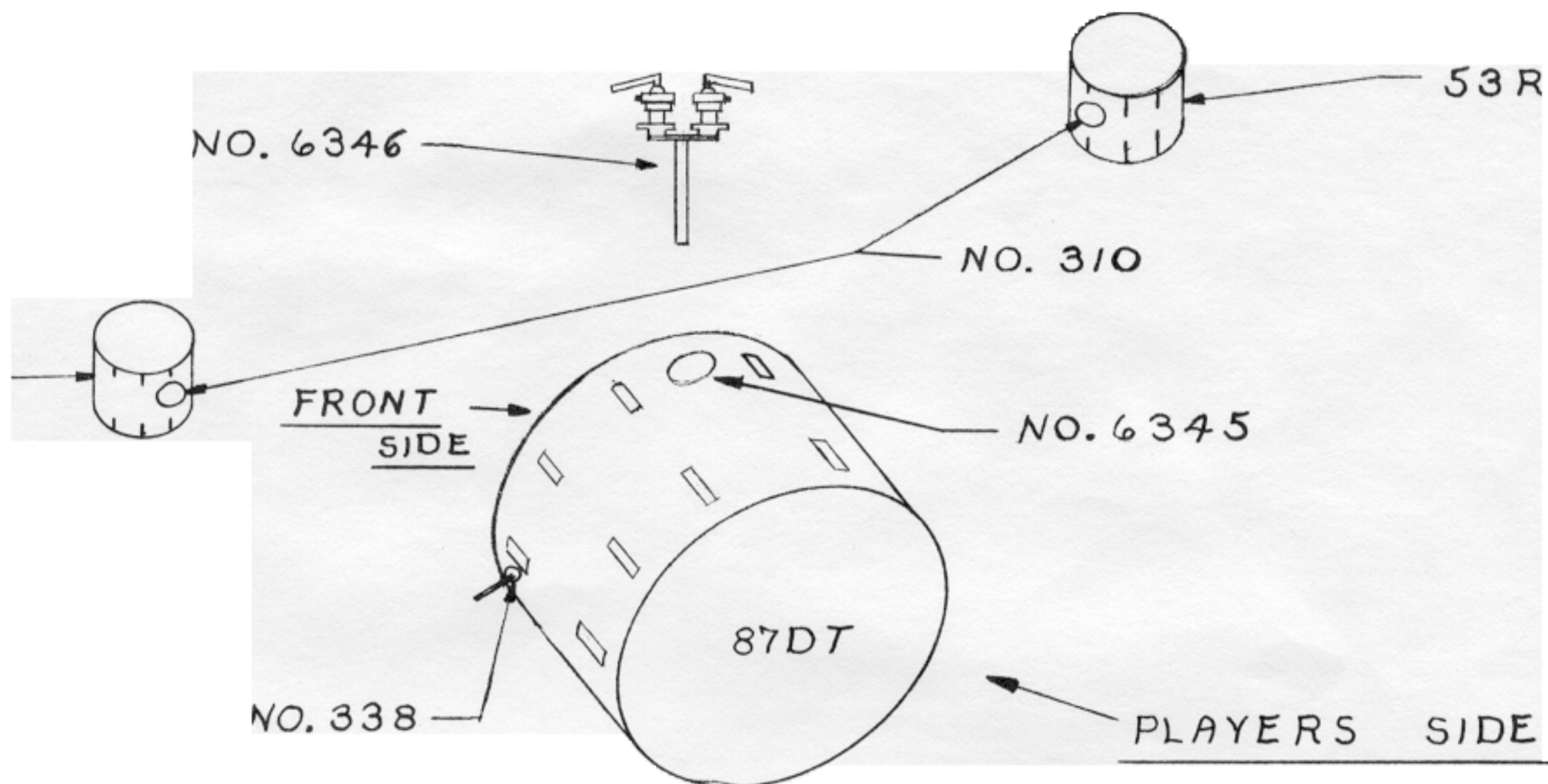
Bass Drum And Tom Tom Assembly



	<u>List Price</u>
	<u>Each</u>
No. 87K2 Holiday <u>14 x 20</u> Bass Drum Assembly.....	\$ 165. 00
1-87 Bass Drum.....	140. 00
1 Pr. 338 Spurs---Mounted.....	12. 50
1-220 Knobby Unit---Mounted.....	6. 00
1-312 Collet Plate---Mounted.....	6. 50
 91K2 Holiday <u>14 x 22</u> Bass Drum Assembly.....	 177. 00
Same as above but with No. 91 Bass Drum and No. 340 Spurs	
 93K2 Holiday <u>14 x 24</u> Bass Drum Assembly.....	 185. 00
Same as above but with No. 93 Bass Drum and No. 340 Spurs	
 51L Holiday <u>8 x 12</u> Tom Tom Assembly.....	 82. 00
1-51 Tom Tom.....	76. 00
1-310 Collet Plate---Mounted.....	6. 00
 No. 53L Holiday <u>9 x 13</u> Tom Tom Assembly.....	 86. 00
1-53 Tom Tom.....	80. 00
1-310 Collet Plate---Mounted.....	6. 00
 6343 Cymbal Arm.....	 9. 50
 363 Center Section for Tom Tom Holder.....	 10. 00

FOR LONDONER OUTFIT NO. 2873

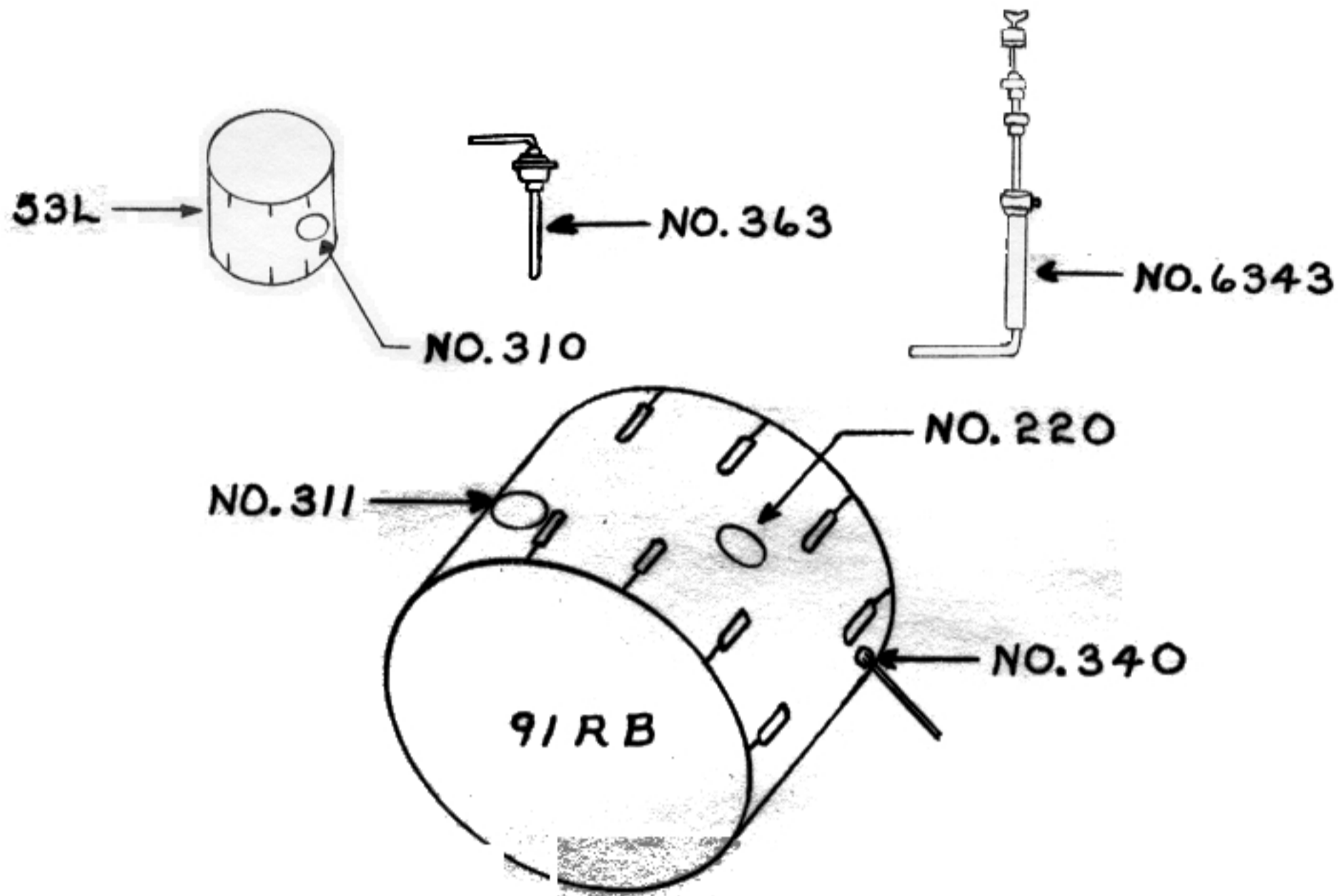
Bass Drum And Tom Tom Assembly



	List Price
	Each
No. 87DT Holiday <u>14 x 20</u> Bass Drum Assembly.....	\$ 162.00
1-87 Bass Drum.....	140.00
1 Pr. 338 Spurs--Mounted.....	12.50
1-6345 Receiving Unit--Mounted....	9.50
91DT Holiday <u>14 x 22</u> Bass Drum Assembly.....	174.00
Same as above but with No. 91 Bass Drum and No. 340 Spurs	
93DT Holiday <u>14 x 24</u> Bass Drum Assembly.....	182.00
Same as above but with No. 93 Bass Drum and No. 340 Spurs	
51L Holiday <u>8 x 12</u> Tom Tom Assembly (left side).....	82.00
1-51 Tom Tom.....	76.00
1-310 Collet Plate--Mounted.....	6.00
No. 53R Holiday <u>9 x 13</u> Tom Tom Assembly (right side).....	86.00
1-53 Tom Tom.....	80.00
1-310 Collet Plate--Mounted.....	6.00
6346 Center Assembly for Dual Tom Holder.....	23.00

FOR STARLIGHTER DRUM OUTFIT NO. 2855

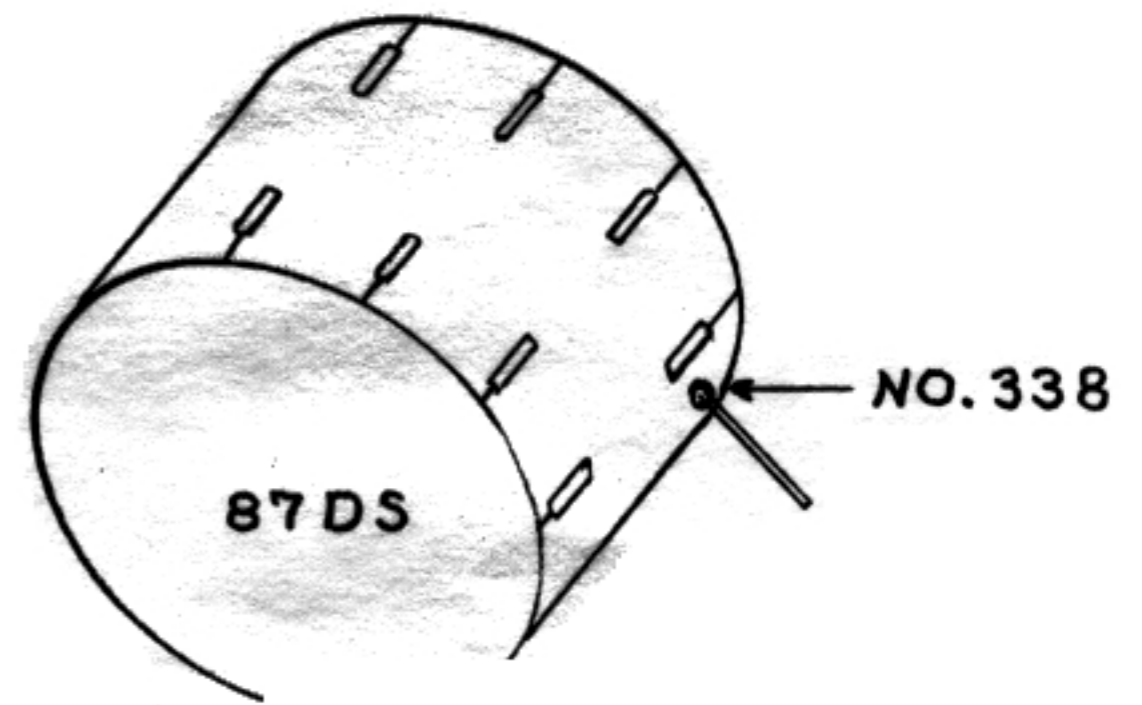
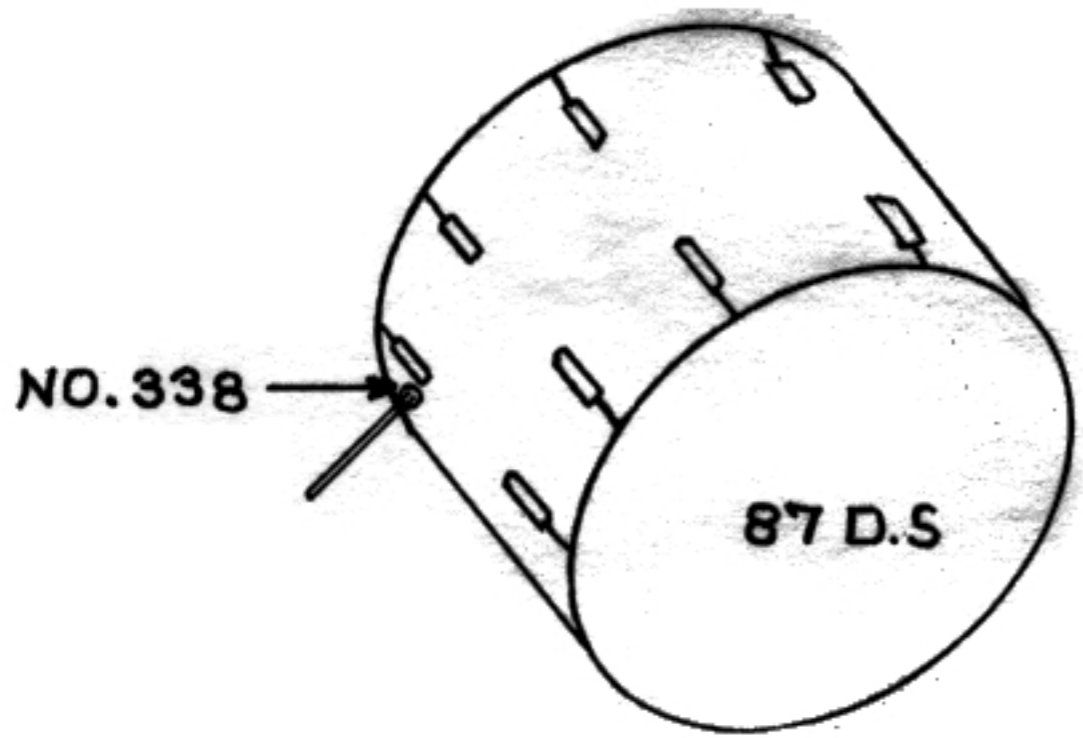
Bass Drum And Tom Tom Assembly



	<u>List Price</u>
	<u>Each</u>
No. 91RB Holiday <u>14 x 22</u> Bass Drum Assembly.....	\$ 177.00
1-91 Bass Drum.....	152.00
1 Pr. 340 Spurs---Mounted.....	12.50
1-220 Knobby Unit---Mounted.....	6.00
1-311 Collet Plate---Mounted.....	6.50
 No. 87RB Holiday <u>14 x 20</u> Bass Drum Assembly.....	 165.00
Same as above but with No. 87 Bass Drum and No. 338 Spurs	
 93RB Holiday <u>14 x 24</u> Bass Drum Assembly.....	 185.00
Same as above but with No. 93 Bass Drum and No. 340 Spurs	
 No. 53L Holiday <u>9 x 13</u> Tom Tom Assembly.....	 86.00
1-53 Tom Tom.....	80.00
1-310 Collet Plate---Mounted.....	6.00
 51L Holiday <u>8 x 12</u> Tom Tom Assembly.....	 82.00
1-53 Tom Tom.....	76.00
1-310 Collet Plate---Mounted.....	6.00
 No. 6343 Cymbal Arm.....	 9.50
 No. 363 Center Section for Tom Tom Holder.....	 10.00

FOR TIMBALE-TWIN DRUM OUTFIT NO. 2834

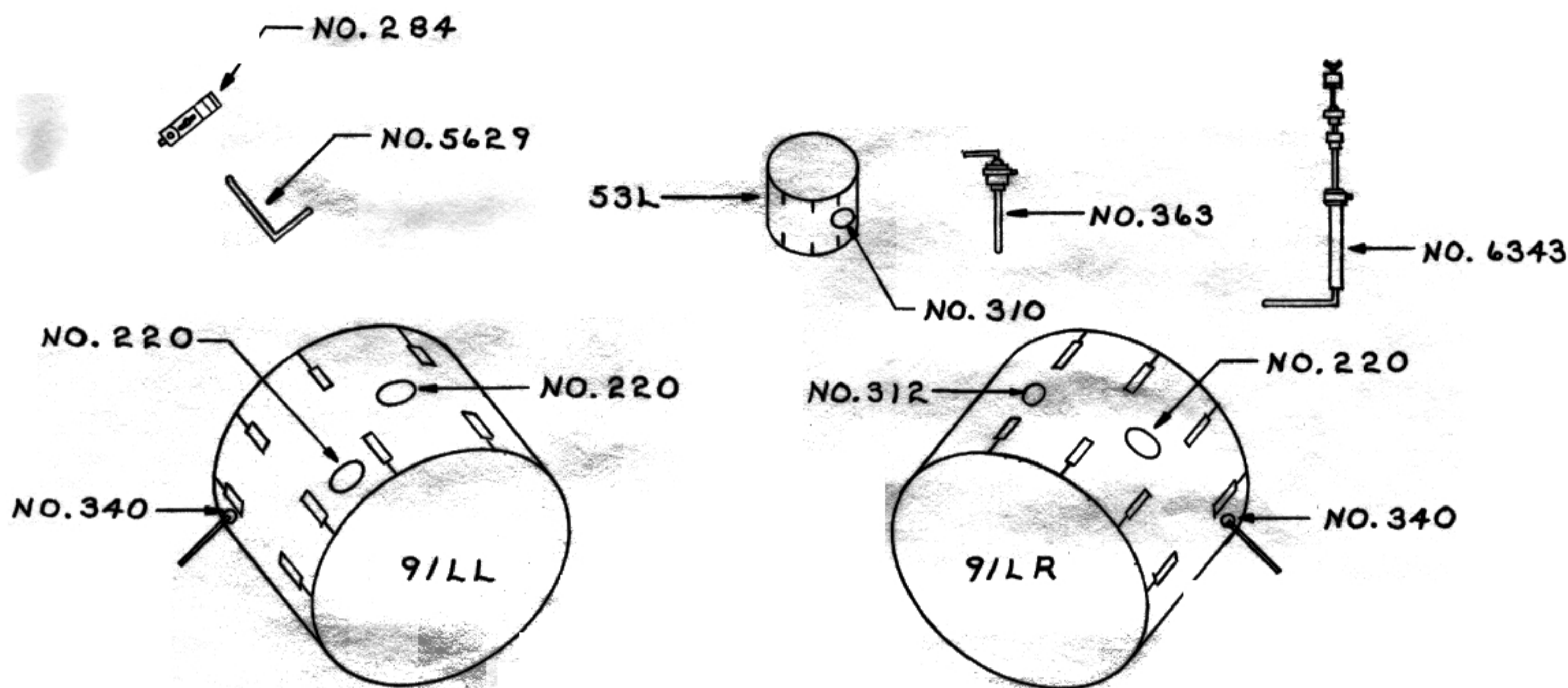
Bass Drum And Tom Tom Assemblies



		List Price
		<u>Each</u>
(Two in outfit)		
No. 87DS Holiday <u>14 x 20</u> Bass Drum Assembly.....		\$ 152.50
1-87 Bass Drum.....	140.00	
1 Pr. 338 Spurs---Mounted.....	12.50	
No. 91DS Holiday <u>14 x 22</u> Bass Drum Assembly.....		164.50
Same as above but with No. 91 Bass Drum and No. 340 Spurs		
No. 93DS Holiday <u>14 x 24</u> Bass Drum Assembly.....		172.50
Same as above but with No. 93 Bass Drum and No. 340 Spurs		

FOR TWIN-BASS DRUM OUTFIT NO. 2837

Bass Drum And Tom Tom Assemblies



	<u>List Price</u> <u>Each</u>
No. 91LL Holiday <u>14 x 22</u> Bass Drum Assembly (left side).....	\$ 176.50
1-91 Bass Drum.....	152.00
1 Pr. 340 Spurs---Mounted.....	12.50
1-220 Knobby Unit---Mounted.....	6.00
(for cymbal holder)	
1-220 Knobby Unit---Mounted.....	6.00
(for hi-hat mount)	
No. 91LR Holiday <u>14 x 22</u> Bass Drum Assembly (right side).....	177.00
1-91 Bass Drum.....	152.00
1 Pr. 340 Spurs---Mounted.....	12.50
1-220 Knobby Unit---Mounted.....	6.00
1-312 Collet Plate---Mounted.....	6.50
No. 87LL Holiday <u>14 x 20</u> Bass Drum Assembly.....	164.50
Same as above but with No. 87 Bass Drum and No. 338 Spurs	
No. 87LR Holiday <u>14 x 20</u> Bass Drum Assembly.....	165.00
Same as above but with No. 87 Bass Drum and No. 338 Spurs	
No. 93LL Holiday <u>14 x 24</u> Bass Drum Assembly.....	184.50
Same as above but with No. 93 Bass Drum and No. 340 Spurs	

(continued on next page)

No. 93LR Holiday <u>14 x 24</u> Bass Drum Assembly.....		\$185.00
Same as above but with No. 93 Bass Drum and No. 340 Spurs		
No. 53L Holiday <u>9 x 13</u> Tom Tom Assembly.....		86.00
1-53 Tom Tom.....	80.00	
1-310 Collet Plate---Mounted.....	6.00	
51L Holiday <u>8 x 12</u> Tom Tom Assembly.....		\$ 82.00
1-51 Tom Tom.....	76.00	
1-310 Collet Plate---Mounted.....	6.00	
No. 6343 Cymbal Arm.....		9.50
No. 363 Center Section for Tom Tom Holder.....		10.00
No. 5629 "L" Shaped Arm.....		3.20
No. 284 Clamp.....		3.75

TIMPANI PARTS

PART DESCRIPTION	LIST	LIST	LIST	LIST
	PRICE	26"	23"	20"
Head	6267	6266	6265	6264
Counterhoop				
Resonator Ring	9569	9568	9567	9566
Pull Rod Assembly	9334	9333	9334	9333
Strut Assembly	9332	9331	9332	9331
Bowl	9565	9564	9563	9562
Base Plate	9533	9533	9532	9532
Base Ring Mounting Screws (6)	9335	9335	9335	9335
Fine Tuning Knob	9670	9670	9670	9670
Fine Tuning Rod	9668	9668	9669	9669
Wook Insert	9528	9528	9528	9528
Heel Rest with Screws				
Rubber Foot Board Pad				
Foot Board with Pad				
Brake Adjustment Screw	0391	0391	0391	0391
Fine Tuning Lever	9704	9703	9677	9676
Lever	9633	9633	9633	9633
Toggle Link	9634	9634	9634	9634
Toggle				
Pedal Link				