



## CONTENTS

Inside Front Cover.....	Bass Drum Assemblies	Page 6.....	Strainers, Snares
Page 1.....	Pedal Parts	Page 7.....	Lugs, Clamps, Screws, Hoops
Page 2.....	Hi Hat Parts	Page 8.....	Timpani Parts
Page 3.....	Dual Tom Holders & Stands	Inside Back Cover.....	Timpani Drawing
Page 4.....	Stands & Thrones	Back Cover.....	Consecutive Number Listing
Page 5.....	Spurs, Legs, Holders		

**ACCESSORIES and PARTS CATALOG**

***ROGERS® DRUMS***



# BASS DRUM ASSEMBLIES

OUTFITS LONDONER V, VI  
ULTRA POWER IX

STUDIO X  
COMPACT X

STARLIGHTER IV OUTFIT



Available in 20", 22", 24" sizes



Available in 22"

45-0405 PowerTone 14 X 20 Bass Drum Assembly

Consisting of

- Bass Drum 14 X 20
- Spurs — 75° angle
- Receiving Unit

45-0705 PowerTone 14 X 22 Bass Drum Assembly

Consisting of

- Bass Drum 14 X 22
- Spurs — 60° angle
- Receiving Unit

45-1005 PowerTone 14 X 24 Bass Drum Assembly

Consisting of

- Bass Drum 14 X 24
- Spurs — 60° angle
- Receiving Unit

45-0711 PowerTone 14 X 22 Bass Drum Assembly

Consisting of

- Bass Drum 14 X 22
- Spurs — 60° angle
- Collet Plate — 60° angle
- Knobby Unit

## ULTRA POWER VII STUDIO VII OUTFITS



Available in 20", 22", 24" sizes

45-0401 PowerTone 14 X 20 Bass Drum Assembly

Consisting of

- Bass Drum 14 X 20
- Spurs — 75° angle

45-0701 PowerTone 14 X 22 Bass Drum Assembly

Consisting of

- Bass Drum 14 X 22
- Spurs — 60° angle

45-1001 PowerTone 14 X 24 Bass Drum Assembly

Consisting of

- Bass Drum 14 X 24
- Spurs — 60° angle



# FOOT PEDALS

48-0612 Swiv-O-Matic Foot Pedal, hinged heel  
 48-0613 Swiv-O-Matic Foot Pedal, adjustable footboard  
 48-0656 Rocket Foot Pedal

## ASSEMBLIES

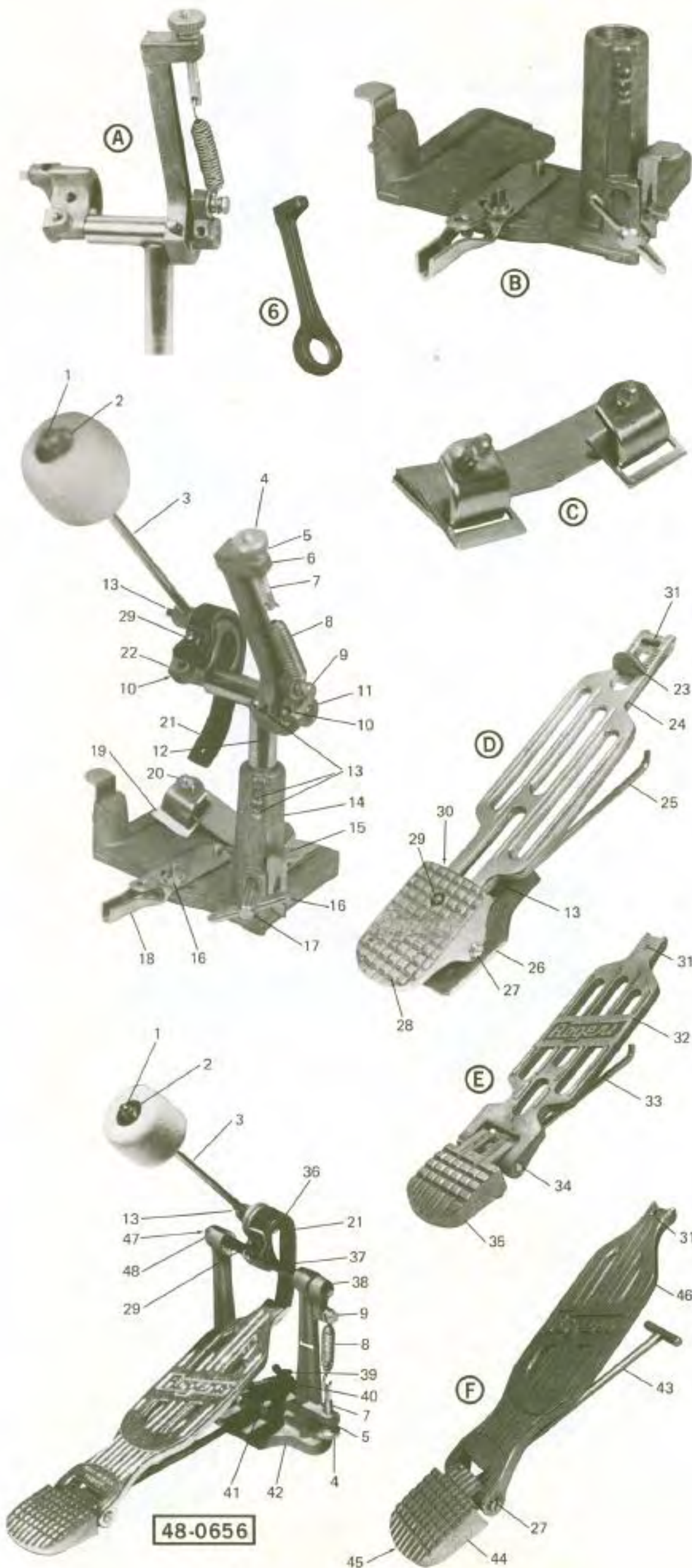
(Reference)

- (A) 60-7593-049 Bearing Housing Assy, each
- (B) 60-6494-049 Pedal Standard Assy, each
- (C) 61-0196 Pedal Hoop Clamp Assy, each
- (D) 60-9225-050 Footboard Assy (for 48-0613)
- (E) 60-9228-050 Footboard Assy (for 48-0612)
- (F) 60-7671-050 Footboard Assy (for 48-0656)

## PARTS

- (1) 60-9200 Pedal ball hex nut, pkg of 6
- (2) 61-0176 Pedal ball washer, pkg of 12
- (3) 48-2953 Pedal beater, complete
- (4) 60-9240 Tension spring adjustment nut, pkg of 4
- (5) 61-0158 Lock washers, pkg of 12
- (6) 60-5204-066 Stroke adjustment arm, each
- (7) 60-9204 Spring adjustment screws, pkg of 4
- (8) 61-0367 Spring assy with hooks & bushing, pkg of 4
- (9) 60-9206-052 Cam bolt, each
- (10) 60-9207 Allen screws, pkg of 12
- (11) 60-5207-066 Rocker cam, each
- (12) 60-7593-052 Bearing housing, each
- (13) 61-0491 Set screws, pkg of 12
- (14) 60-5203-036 Pedal standard, each
- (15) 60-9208-052 Pedal spur (right side) each
- (15) 60-9209-052 Pedal spur (left side) each
- (16) 61-0177 Pull set screws, pkg of 6
- (17) 60-9211-052 Locking screw, each
- (18) 60-9212-052 Swivel unit, each
- (19) 60-9224-052 Clamp pressure plate, each
- (20) 61-0492 Pull set screws, pkg of 6
- (21) 61-0178 Leather straps, pkg of 6
- (22) 60-5200-066 Beater cam, each
- (23) 60-9220 Toe stop, each
- (24) 60-5188-034 Footboard, each
- (25) 60-9213-052 Connecting rod, each
- (26) 60-5190-066 Heel base, each
- (27) 60-9214 Heel bearing screws, pkg of 8
- (28) 60-5189-037 Heel, each W/Bearing
- (29) 61-0492 Pull set screws, pkg of 6
- (30) 60-9218-053 Threaded heel plate, each (underneath heel)
- (31) 61-0518 Screws (for leather strap), pkg of 12
- (32) 61-5162-034 Footboard, each
- (33) 60-3303 Connecting hinge rod, each
- (34) 60-8038 Heel pivot rod bearing, each
- (35) 60-8084-035 \*Heel, each
- (36) 60-6497-049 Beater cam, each
- (37) 60-5624-052 Rocker shaft rod, each
- (38) 60-5197-066 Rocker cam, each
- (39) 61-0160 Thumb screws, pkg of 6
- (40) 60-9233 Toe clamp washers, pkg of 12
- (41) 60-5202 Toe hoop clamp, each
- (42) 60-5201-066 Pedal standard, each
- (43) 60-7645-052 Connecting "T" rod, each
- (44) 60-2211-035 Heel, each
- (45) 61-0519 Allen screws, pkg of 6
- (46) 60-5215-035 Footboard, each
- (47) 60-9238 Rocker shaft locking nuts, pkg of 6
- (48) 60-9239 Rocker shaft locking screws, pkg of 3

\*For previous model - order No. 60-9227 Heel & Rod





# HI-HATS

- 48-0570 Supreme Hi-Hat
- 48-0510 Swiv-O-Matic Hi-Hat, hinged heel
- 48-0511 Swiv-O-Matic Hi-Hat, solid footboard

## ASSEMBLIES

(Reference)

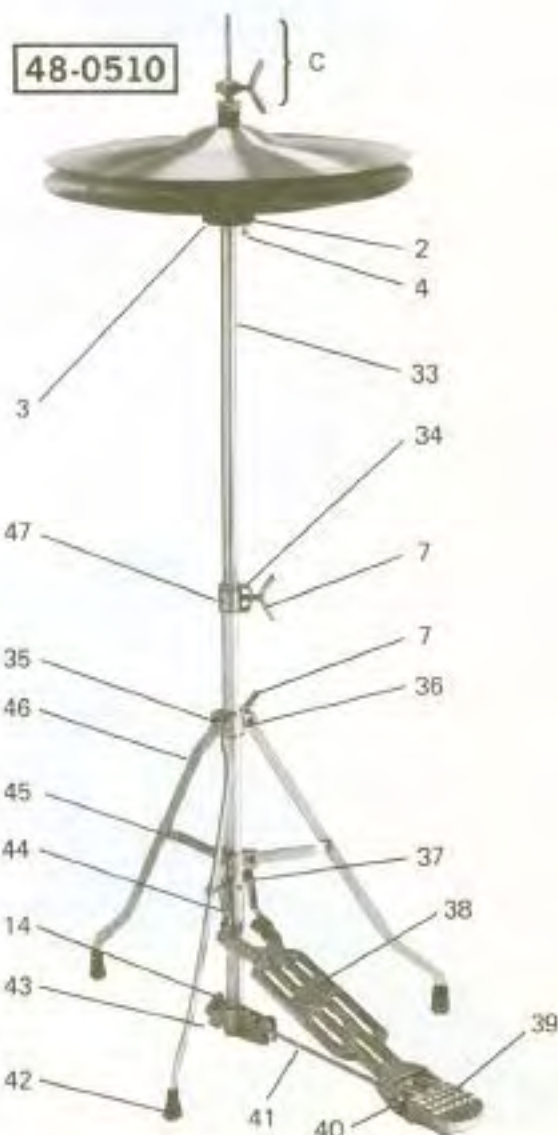
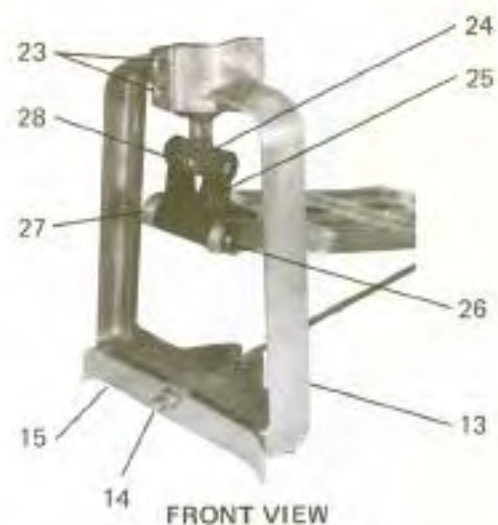
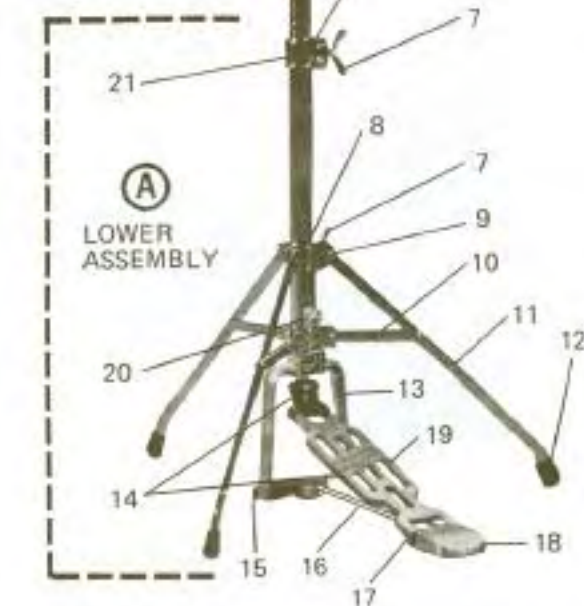
- (A) 61-0409-049 Lower Base Assy (of 48-0570)
- (B) 61-0404-049 Footboard Assy (of 48-0570)
- (C) 48-1800 Hi-Hat Clutch, complete
- (D) 60-8076-050 Lower Base Assy (of 48-0510)
- (E) 60-8088-050 Lower Base Assy (of 48-0511)
- (F) 60-8043-049 Footboard Assy (of 48-0510)
- (G) 60-8037-036 Footboard Assy (of 48-0511)

## PARTS

- (2) 60-9247 Felt washers, large, pkg of 6
- (3) 60-9248 Fibre washers, large, pkg of 6
- (4) 61-0500 Tilter screw with nut, pkg of 2
- (5) 61-0414-049 Upper tube assy, each
- (6) 60-8267 "U" clamp (1-1/8 x 1" hole sizes), each
- (7) 60-9249 Wing screws, pkg of 4
- (8) 60-8278 "U" clamp (1-1/8 x 1-1/8" hole sizes), each
- (9) 60-8337-052 Sliding leg clamp, each (three to a set)
- (10) 60-8156-052 Leg link section, each (takes two per leg)
- (11) 61-0395-052 Leg, each
- (12) 61-0174 Rubber tips, pkg of 12
- (13) 61-0382-032 Stirrup, each
- (14) 61-0492 Pull set screws, pkg of 6
- (15) 61-0390-052 Double self-aligning spur, each
- (16) 61-0397 Connecting hinge rod, each
- (17) 61-0427 Heel pivot shaft screw, each
- (18) 61-0432-066 Heel, each
- (19) 61-0428-066 Footboard, each
- (20) 61-0499 Spring adjusting block nut, pkg of 2
- (21) 60-8284-052 Metal collar ring (1-1/8" I.D.), each
- (22) 61-0383-015 Flange tilter bushing, each
- (23) 61-0519 Allen screws, pkg of 6
- (24) 61-0391 Pivot shaft, each
- (25) 61-0496 Pedal links, pkg of 2
- (26) 61-0433 Pedal link screw, each
- (27) 61-0495 Nut (for pdl. link screw), pkg of 2
- (28) 60-9261 Allen screws, pkg of 12
- (29) 60-9244 Wing screws, pkg of 2
- (30) 60-9245 Lock nuts, pkg of 6
- (31) 60-9246 Felt washers, small, pkg of 12
- (32) 60-9267 Clutch retainer nuts, pkg of 2
- (33) 61-0486-049 Upper tube assy, each
- (34) 60-8003 "U" clamp (3/4 x 5/8" hole sizes), each
- (35) 60-8091-035 Sliding leg clamp, each (three to a set)
- (36) 60-8002 "U" clamp (3/4 x 3/4" hole sizes), each
- (37) 60-8054-053 Metal cross-pin, each
- (38) 60-5214-035 Footboard, each
- (39) 60-8084-035 Heel, each
- (40) 60-8038 Heel pivot shaft bearing, each
- (41) 60-8066-052 Connecting hinge rod, each
- (42) 60-4418 Rubber tips, pkg of 12
- (43) 60-8006-052 Spur, each
- (44) 60-8011-052 Metal pedal link, each
- (45) 60-8008-052 Leg link, each
- (46) 60-8012-052 Leg, each
- (47) 60-8062-052 Metal collar ring (3/4" I.D.)
- (48) 60-5213-035 Footboard, each
- (49) 60-8037-066 Heel base, each
- (50) 60-9214 Heel bearing screws, pkg of 6
- (51) 60-8067-052 Connecting rod, each

ITEMS NOT REFERENCED	for 48-0570	for 48-0510 & 48-0511
Upper pull rod, each	61-0400 W/nylon bushing	61-0180 Pkg of 2
Lower pull rod Assy, each	61-0401-049	60-9259
Compression springs, Pkg of 3	60-9262	60-9262
Silencer sleeve, each	61-0402	
Nylon heel bearings, Pkg of 2	61-0494	
Heat Shrink tubing, Pkg of 4	61-0497	
Rubber bumpers, Pkg of 6	61-0493	
Rivets (3/16 x 1/2") Pkg of 24	61-0490	61-0490
Rivets (3/16 x 11/16") Pkg of 24	61-0488	61-0488
Rivets (3/16 x 13/16") Pkg of 24	61-0489	61-0489

48-0570





## DUAL TOM HOLDERS AND STANDS

48-2601 Dual Tom Tom Holder  
 48-0518 Dual Tom Tom Stand  
 48-0521 Samson Dual Tom Tom Stand  
 48-0522 Supreme Dual Tom Tom Stand

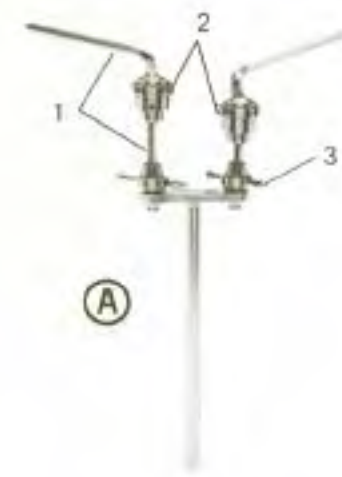
### ASSEMBLIES

(Reference)

- |     |             |                                |
|-----|-------------|--------------------------------|
| (A) | 48-0200     | Swiv-O-Matic Center Assy, each |
| (B) | 48-2200     | Receiving Unit, each           |
| (C) | 60-8342-049 | Lower Section Assy, each       |
| (D) | 61-0143     | Lower Riser Tube Assy, each    |
| (E) | 61-0147     | Lower Section Assy, each       |
| (F) | 60-8273-049 | Lower Section Assy, each       |
| (G) | 60-6348-052 | "T" Support Bar, each          |

### PARTS

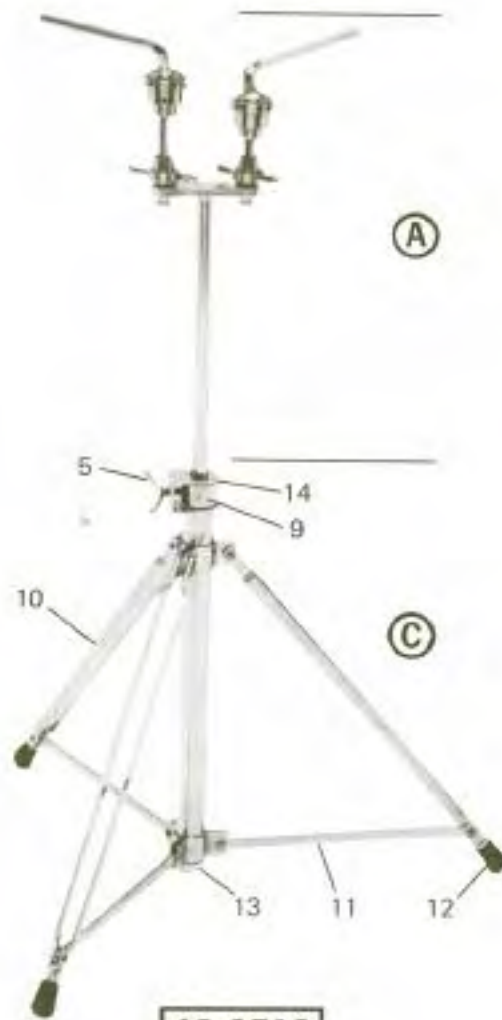
- |      |             |   |
|------|-------------|---|
| (1)  | 60-6347-049 | Short center section, each                                |
| (2)  | 61-0491     | Set screws, pkg of 12                                     |
| (3)  | 60-0313     | Collet nose, each   |
| (4)  | 60-8130     | "U" clamp (3/4 x 5/8" hole sizes), each                   |
| (5)  | 60-9249     | Wing screws, pkg of 4                                     |
| (6)  | 61-0175     | Carriage bolts, pkg of 12                                 |
| (7)  | 60-6487-053 | Reinforcing plate, each                                   |
| (8)  | 61-0170     | Hex nut, pkg of 2   |
| (9)  | 60-8062-052 | Metal collar ring (3/4" I.D.)                             |
| (10) | 60-8280-052 | Leg section, each<br>(takes two sections for a leg)       |
| (11) | 60-8297-052 | Leg link, each  |
| (12) | 61-0174     | Rubber tips, pkg of 12                                    |
| (13) | 60-8338-052 | Sliding leg clamp, each<br>(three to a set)               |
| (14) | 60-8290     | "U" clamp (1-1/8 x 5/8" hole sizes), each                 |
| (15) | 61-0135     | "U" clamp (1 x 5/8" hole sizes), each                     |
| (16) | 60-8205-052 | Metal collar ring (5/8" I.D.), each                       |
| (17) | 60-8267     | "U" clamp (1-1/8 x 1" hole sizes), each                   |
| (18) | 60-8266-052 | Metal collar ring (1-1/8" I.D.), each                     |
| (19) | 60-8155-052 | Leg, each   |
| (20) | 60-8156-052 | Leg link section, each<br>(takes two sections for a link) |
| (21) | 60-4418     | Rubber tips, pkg of 12                                    |
|      | 61-0490     | Rivets (3/16 x 1/2), pkg of 24                            |
|      | 61-0488     | Rivets (3/16 x 11/16), pkg of 24                          |
|      | 61-0489     | Rivets (3/16 x 13/16), pkg of 24                          |



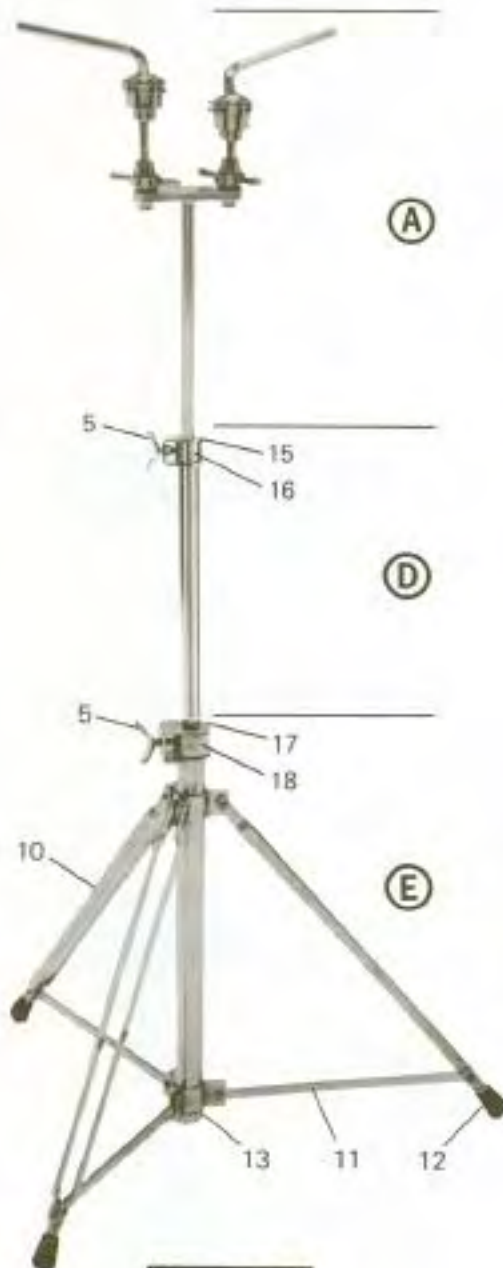
(A)



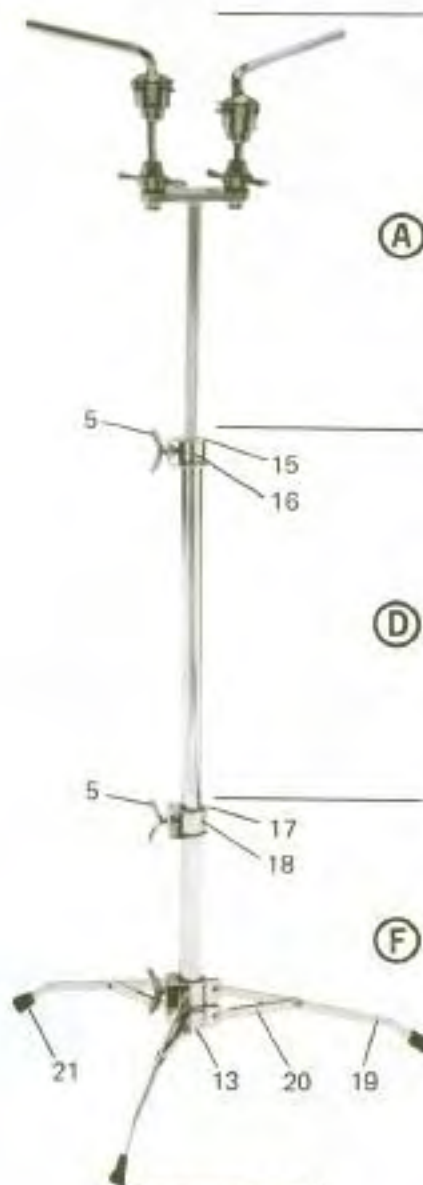
48-2601



48-0518



48-0521



48-0522



(G)



# STANDS AND THRONE

- 48-0501 Giant Drum Stand
- 48-0502 Supreme I Drum Stand
- 48-0503 Samson I Drum Stand
- 48-0506 Supreme II Drum Stand
- 48-0512 Samson II Floor Cymbal Stand
- 48-0513 Supreme II Floor Cymbal Stand
- 48-0520 Samson Timbale Stand
- 48-0539 Samson I Floor Cymbal Stand
- 48-0542 Supreme I Floor Cymbal Stand
- 48-1501 Drum Keys, pkg of 6
- 48-3700 Bass Drum Rack
- 48-4400 Samson Drum Throne

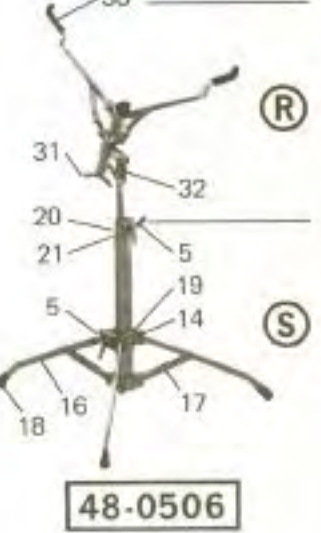
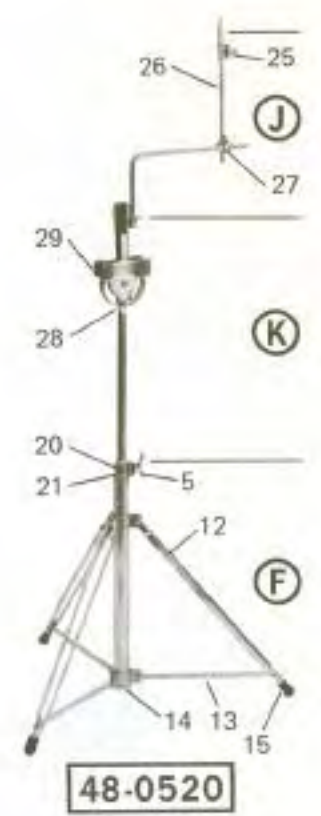
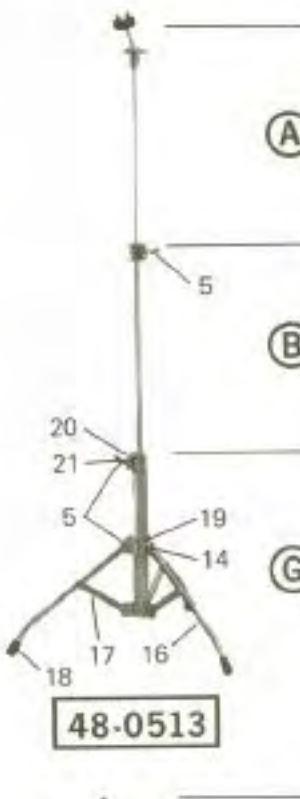
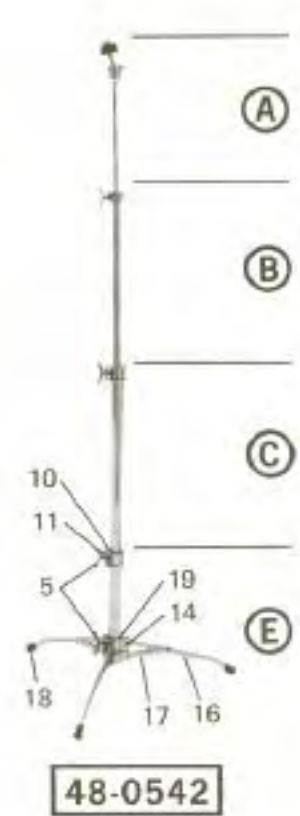
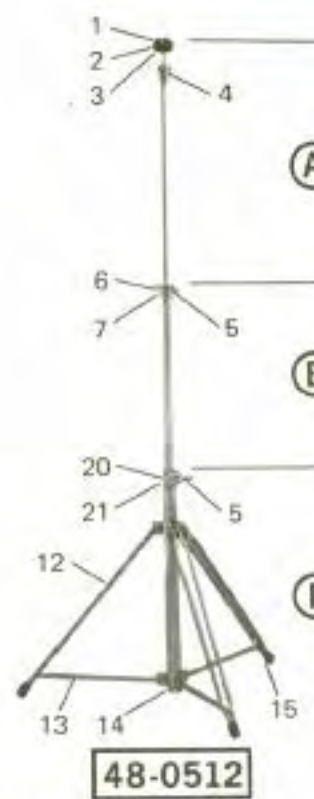
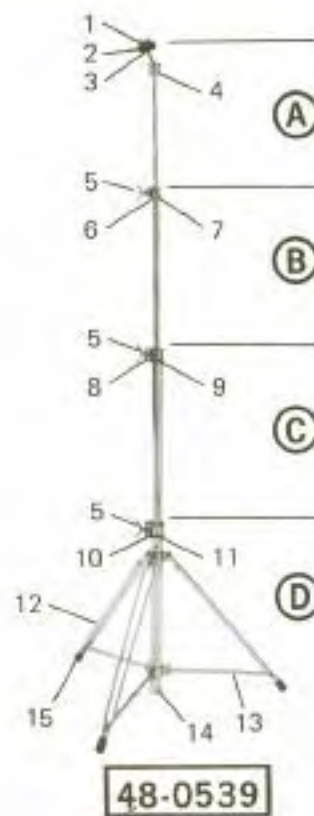
## ASSEMBLIES

(Reference)

- (A) 61-0144 Cymbal tilter rod assy, each
- (B) 60-8201-049 Upper tube assy, each
- (C) 61-0143 Lower riser tube assy, each
- (D) 61-0147 Lower Section Assy, each
- (E) 60-8273-049 Lower Section Assy, each
- (F) 61-0508-049 Lower Section Assy, each
- (G) 61-0511-049 Lower Section Assy, each
- (H) 60-6656-049 Throne Seat Assy, each
- (I) 60-8226-036 Throne Base Assy, each
- (J) 48-6000 Cowbell Holder Assy, each
- (K) 61-8343 Top Section Assy, each  
(without cowbell holder assy)
- (M) 60-8245-049 Upper Section Assy, each  
(for 48-0501..0502..0503 drum stands)
- (N) 60-8261-049 Lower Section Assy, each
- (R) 60-8100-049 Upper Section Assy, each
- (S) 61-0511-049 Lower Section Assy, each

## PARTS

- (1) 61-0165 Wing nuts, pkg of 12
- (2) 61-0166 Felt washers, pkg of 12
- (3) 60-5792 Metal cymbal washers, pkg of 6
- (4) 61-0491 Set screws, pkg of 12
- (5) 60-9249 Wing screws, pkg of 4
- (6) 60-8206 "U" clamp (5/8 x 3/8" hole sizes), each
- (7) 60-8205-052 Metal collar ring (5/8" I.D.)
- (8) 61-0135 "U" clamp (1 x 5/8" hole sizes), each
- (9) 61-0145 Metal collar ring (1" I.D.), each
- (10) 60-8267 "U" clamp (1-1/8 x 1" hole sizes), each
- (11) 60-8266-052 Metal collar ring (1-1/8" I.D.)
- (12) 60-8280-052 Leg section, each  
(takes two sections for a leg)
- (13) 60-8297-052 Leg link, each
- (14) 60-8338-052 Sliding leg clamp, each  
(three to a set)
- (15) 61-0174 Rubber tips, pkg of 12
- (16) 60-8155-052 Leg, each
- (17) 60-8156-052 Leg link section, each  
(takes two sections for a link)
- (18) 60-4418 Rubber tips, pkg of 12
- (19) 60-8278 "U" clamp (1-1/8 x 1-1/8" hole sizes), each
- (20) 60-8290 "U" clamp (1-1/8 x 5/8" hole sizes), each
- (21) 60-8062-052 Metal collar ring (3/4" I.D.)
- (22) 61-0172 Thumb screws, pkg of 3
- (23) 60-8286-052 Threaded rod only, each
- (24) 60-8361-049 Clamp nut only, each
- (25) 48-6400 Cowbell "U" clamp, each
- (26) 60-5951-052 Round rod (10" long), each
- (27) 48-6002 Hex "L" arm & two-way clamp assy, each
- (28) 61-5418 Carriage bolt assy, pkg of 2
- (29) 61-6879 Rubber sleeves, pkg of 6
- (30) 61-6433 Plastic caps for snare drum arms, pkg of 12
- (31) 61-0173 Thumb screws, pkg of 3
- (32) 61-0172 Thumb Screws, Pkg of 3
- (33) 60-8125-052 Leg, each
- (34) 60-8126-052 Leg link, each
- (35) 60-8337-052 Sliding leg clamp, each  
(three to a set)
- 61-0366 Rubber cymbal sleeves, pkg of 24
- 61-0498 Rivets (3/16 x 7/16), pkg of 24
- 61-0490 Rivets (3/16 x 1/2), pkg of 24
- 61-0488 Rivets (3/16 x 11/16), pkg of 24
- 61-0489 Rivets (3/16 x 13/16), pkg of 24







## SPURS, LEGS AND HOLDERS

48-0300 Swiv-O-Matic Cymbal Arm Assy

48-0977 Cowbell Holder

48-1101 Sleeve Adapter (threaded)

(converts cymbal tilter to bongo adapter)

48-1280 Stick Tray Assy

48-1421 Hi-Hat Mount Assy

48-1735 Internal Spurs (for 18 & 20" drums), pair

48-1736 Internal Spurs (for drums 22" and up), pair

### ASSEMBLIES

(Reference)

- |     |             |   |
|-----|-------------|---|
| (A) | 48-2336     | Collet plate assy (60° angle), each   |
| (B) | 48-2335     | Collet plate assy (75° angle), each   |
| (C) | 48-2334     | Collet plate assy (straight), each  |
| (D) | 60-5605-049 | Hex tom tom leg (20") with rubber tip, each   |
|     | 60-6840-049 | Hex tom tom leg (17-1/2") with rubber tip, each   |
| (E) | 48-0100     | Swiv-O-Matic center section, each   |
| (F) | 60-6347-049 | Short Swivo center section, each<br>(used on dual tom holder – similar to 48-0100 but with shorter riser rod) |
| (G) | 48-6001     | Short center section & two-way clamp assy, each   |
| (H) | 48-1200     | Stick tray only, each   |
| (I) | 48-2423     | Knobby unit, all-purpose, each<br>(accommodates either round or hex rod)                                      |
|     | 60-7522-052 | Knobby base only, each  |
|     | 60-7523-052 | Knobby cap only, each   |
| (J) | 48-0800     | Clamp, each   |
| (K) | 48-0400     | Hex cymbal rod, each  |
| (L) | 48-1362     | Swivo cymbal extension arm, each  |
| (M) | 61-0208     | Cymbal tilter rod assy, each  |

### PARTS

- |      |             |   |
|------|-------------|---|
| (1)  | 60-0313     | Collet nose, each                               |
| (2)  | 60-6638-049 | Spur rod only, with rubber tip (14" long), each |
| (3)  | 60-6659-049 | Spur rod only, with rubber tip (9" long), each  |
| (4)  | 61-0175     | Carriage bolts, pkg of 12                       |
| (5)  | 61-0491     | Set screws, pkg of 12                           |
| (6)  | 61-0492     | Pull set screws, pkg of 6                       |
| (7)  | 60-9292     | Blank plate, each                               |
| (8)  | 48-3300     | Two-way clamp, each                             |
| (9)  | 48-0700     | "L" arm (3/8" round) not threaded, each         |
| (10) | 61-0161     | Thumb screws, pkg of 6                          |
| (11) | 48-6400     | Cowbell "U" clamp                               |
| (12) | 61-0165     | Wing nuts, pkg of 12                            |
| (13) | 61-0166     | Felt cymbal washers, pkg of 12                  |
| (14) | 60-5792     | Metal cymbal washers, pkg of 6                  |



# STRAINERS AND SNARES

48-4066 Snare Strainer, each  
 48-4069 Bantam Snare Strainer, each

- (Reference)
- (A) 60-7556-036 Handle, each
  - (B) 60-5209-052 Strainer Housing, each
  - (C) 60-5210-052 Face Plate Slide, each
  - (D) 60-6542-049 Cam & Tension Screw Assy, each
  - (E) 60-9324 Snare Guard, each  
(back plate side for drums with wire snare assy)
  - (F) 60-9325 Snare Guard, each  
(strainer side for drums with wire snare assy)
  - (G) 60-9326 Snare Guard, each  
(back plate side for drums with nylon or gut assy's)
  - (H) 60-9327 Snare Guard, each  
(strainer side for drums with nylon or gut assy's)
  - (I) 60-5678-049 Back Plate Assy, each

- Dyna-Sonic Snare Frame Assemblies
- (J) 48-4323 Wire for 14" drum
  - 48-4324 Wire for 15" drum
  - 48-4325 Nylon for 6-1/2 x 14 Concert Drum
  - (K) 48-4326 Nylon for 14" Parade Drum
  - 48-4327 Nylon for 15" Parade Drum
  - 48-4328 Gut for 6-1/2 x 14 Concert Drum
  - (L) 48-4329 Gut for 14" Parade Drum
  - 48-4330 Gut for 15" Parade Drum

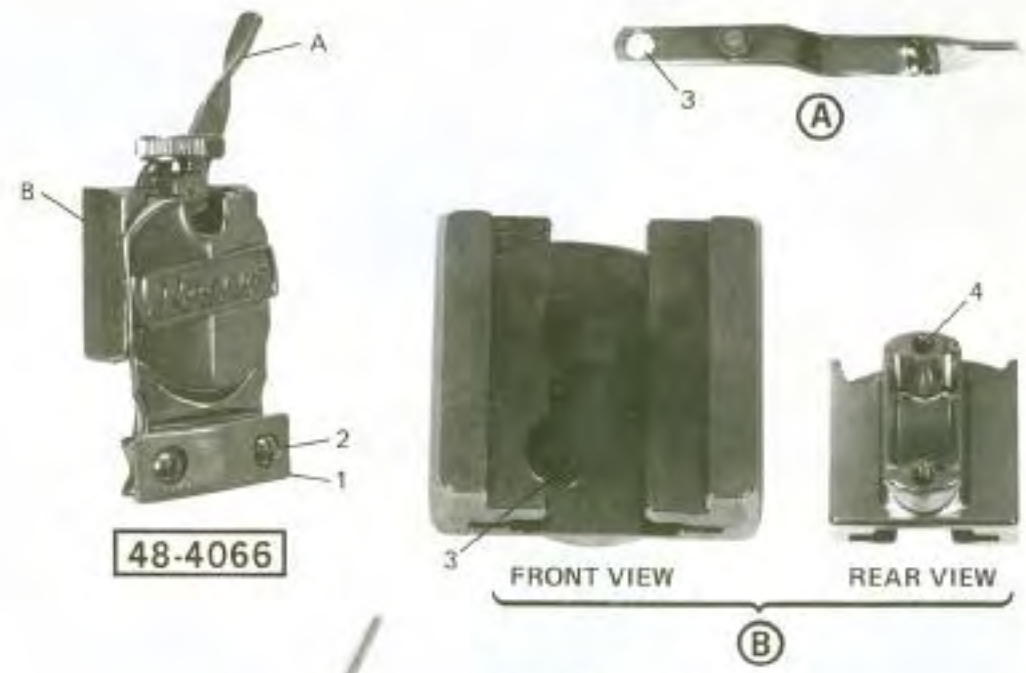
- PARTS
- (1) 60-5663 Face Plate & Back Plate Cover, each
  - (2) 61-0370 Screws, pkg of 12
  - (3) 61-0163 Boss Screws, pkg of 6
  - (4) 61-0164 Screws, pkg of 12
  - (5) 60-5385-049 Tension Screw Assy, each
  - (6) 60-5735-052 Tension Screw, each
  - (7) 60-5664 Back Plate Base only, each
  - (8) 60-5441 Screw for threaded sleeve insert, each
  - (9) 60-5271 Threaded Sleeve Insert, each
  - 61-0167 Lock Washers, pkg of 12
  - 61-0156 Flat Washers #10, pkg of 12

- SNARES (Not Illustrated)
- 48-8485 Wire 13-inch, 20 strand
  - 48-8585 Wire 14-inch, 20 strand
  - 48-8685 Wire 15-inch, 20 strand

- 48-3989 Gut 12 strands, medium weight
- 48-3987 Gut 12 strands, heavy weight

- DYNA-SONIC SNARES FOR SNARE FRAME ASSEMBLIES
- Wire
- 48-8100 for 14-inch drum
  - 48-8200 for 15-inch drum
- Nylon (with slide bar)
- 61-0109 for 14" snare drum
  - 61-0110 for 14" and 15" parade drums
- Gut (with slide bar)
- 61-0111 for 14" snare drums
  - 61-0112 for 14" and 15" parade drums

- SNARE CORD (in 13" lengths)
- 61-0169 Snare Cord, pkg of 8



48-4066



48-4069



(C)

(D)



(E)



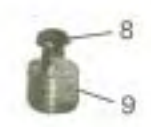
(F)



(G)



(H)



(8)

(9)



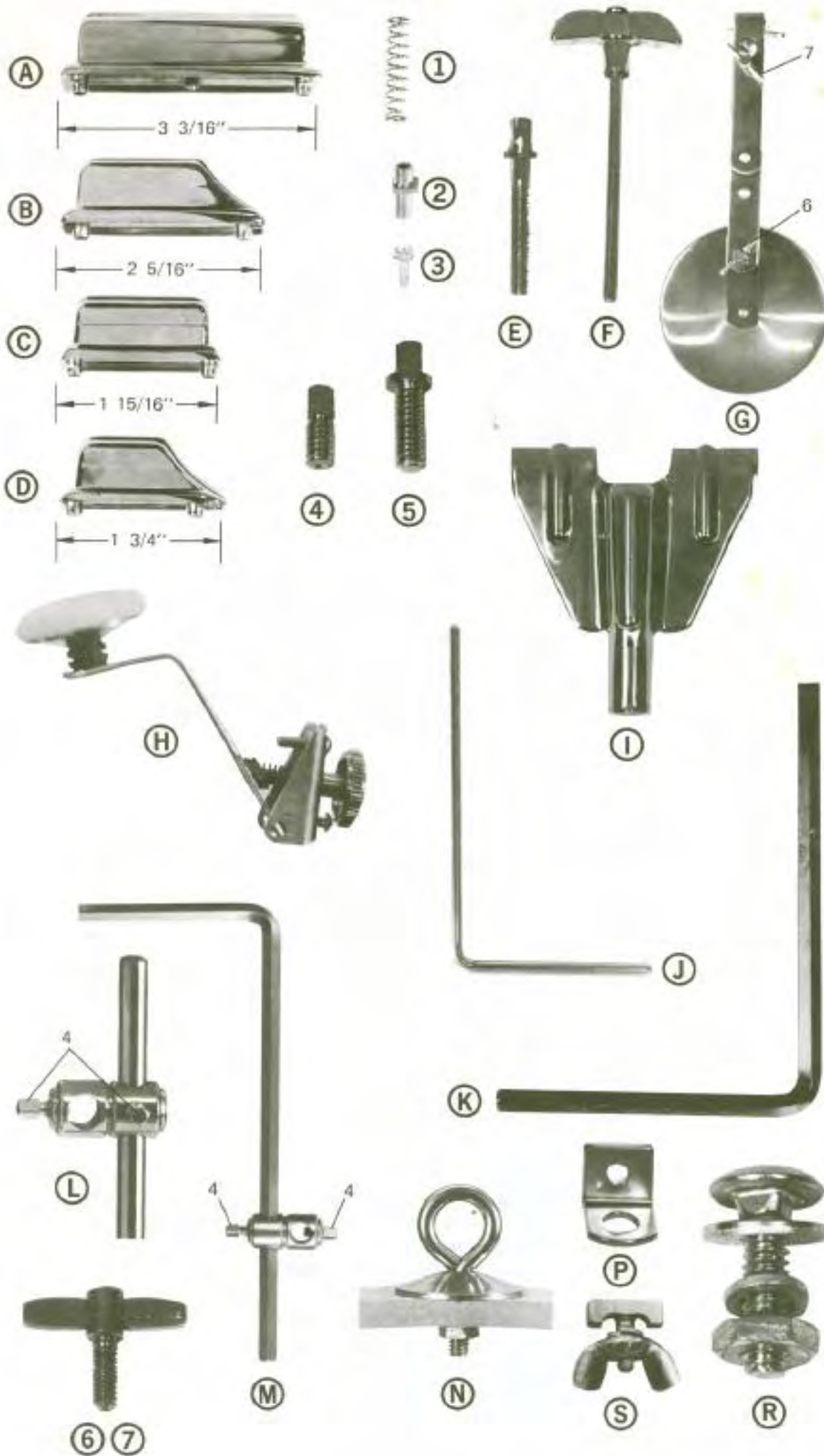
(J)

(K)

(L)



# LUGS, CLAMPS, SCREWS AND HOOPS



**(Reference)**

- (A) 60-9315-050 Large Center Lug, each (for Parade Drums)
- 60-9316-050 Large Center Lug, each (for Bass and Scotch Drums)
- (B) 60-9318-050 Large Beavertail Lug, each (for dual-row bass drums)
- (C) 60-9320-050 Small Center Lug, each (for snare drums)
- (D) 60-9322-050 Small Beavertail Lug, each (for dual row tom toms, timbales, bongos, & marching drums)
- (E) ..... Key Tension Rods
  - 61-0121 1-1/4" long, Pkg of 12
  - 60-9356 1-1/2" long, Pkg of 12
  - 60-9370 2-1/4" long, Pkg of 12
  - 60-9360 3-1/2" long, Pkg of 12
- (F) 60-6408-037 "T" Handle Rod, 3-3/4" long, each
- (G) 48-2000 Bass Drum Muffler, each
- (H) 48-2100 Internal Tone Control, each
- (I) 60-2286-052 Double Claw (not threaded), each
- (J) 48-0700 "L" Arm (3/8" round), each
- (K) 60-2360-052 "L" Arm (7/16" hex), each
- (L) 48-3300 Two-Way Clamp, each
- (M) 48-6002 Hex "L" Arm-Two way Clamp Assy, each
- (N) 60-6756 Bass Drum Eye Bolts, each
- (P) 60-4454 Sling Hooks, Pkg of 2
- (R) 61-0175 Carriage Bolt Assembly, Pkg of 12
- (S) 61-0159 "T" Hook Assembly, Pkg of 4
- 61-0155 Washers (for all drum rods) Pkg of 48
- 61-0168 Felt Strips for bass drum muffling, Pkg of 4

**PARTS**

- (1) ..... Lug Springs
  - 61-0124 (for large center lug), Pkg of 6
  - 61-0125 (for large beavertail lug), Pkg of 6
  - 61-0126 (for small center lug), Pkg of 12
  - 61-0127 (for small beavertail lug), Pkg of 12
- (2) 61-0128 Lug Nuts, Pkg of 6
- (3) ..... Lug Mounting Screws
  - 61-0129 (for wood shell mounting), Pkg of 24
  - 61-0520 (for metal shell mounting), Pkg of 24
- 60-5363-053 Cup Washer
- (4) 61-0491 Set Screws, Pkg of 12
- (5) 61-0492 Pull Set Screws, Pkg of 8
- (6) 61-0160 Thumb Screws, Pkg of 6
- (7) 61-0161 Thumb Screws, Pkg of 8

## TRIPLE FLANGE METAL COUNTER HOOPS

BATTER				SNARE		
4 ears	6 ears	8 ears	10 ears	6 ears	8 ears	10 ears
8" 61-0479-052						
10"	61-0475-052					
12"	60-9000-052					
13"	60-9001-052			60-6869-052		
14"		60-9004-052	60-9006-052		60-9005-052	61-0463-052 Super Ten 60-9007-052 Dyna-Sonic
15"		60-9008-052	60-9010-052		60-9009-052	60-9011-052
16"		60-9012-052	60-9014-052			
18"		60-9016-052				
20"		60-9018-052				

## BASS DRUM COUNTER HOOPS

	Plain Black	Inlaid Pearl
18"	60-9050-068	60-9048-078
20"	60-9053-068	60-9051-078
22"	60-9056-068	60-9054-078
24"	60-9059-068	60-9057-078
26"	60-9062-068	60-9060-078
28"	60-9065-068	60-9063-078
32"	60-9070-068	60-9069-078
36"	60-9077-068	60-9075-078
40"	60-9080-068	60-9078-078

## TIMBALE AND BONGO HOOPS

60-2340-045	Timbale Hoop 13"
60-2341-045	Timbale Hoop 14"
60-9022-052	Bongo "L" Hoop 6" (4 ear)
60-9023-052	Bongo "L" Hoop 8" (4 ear)

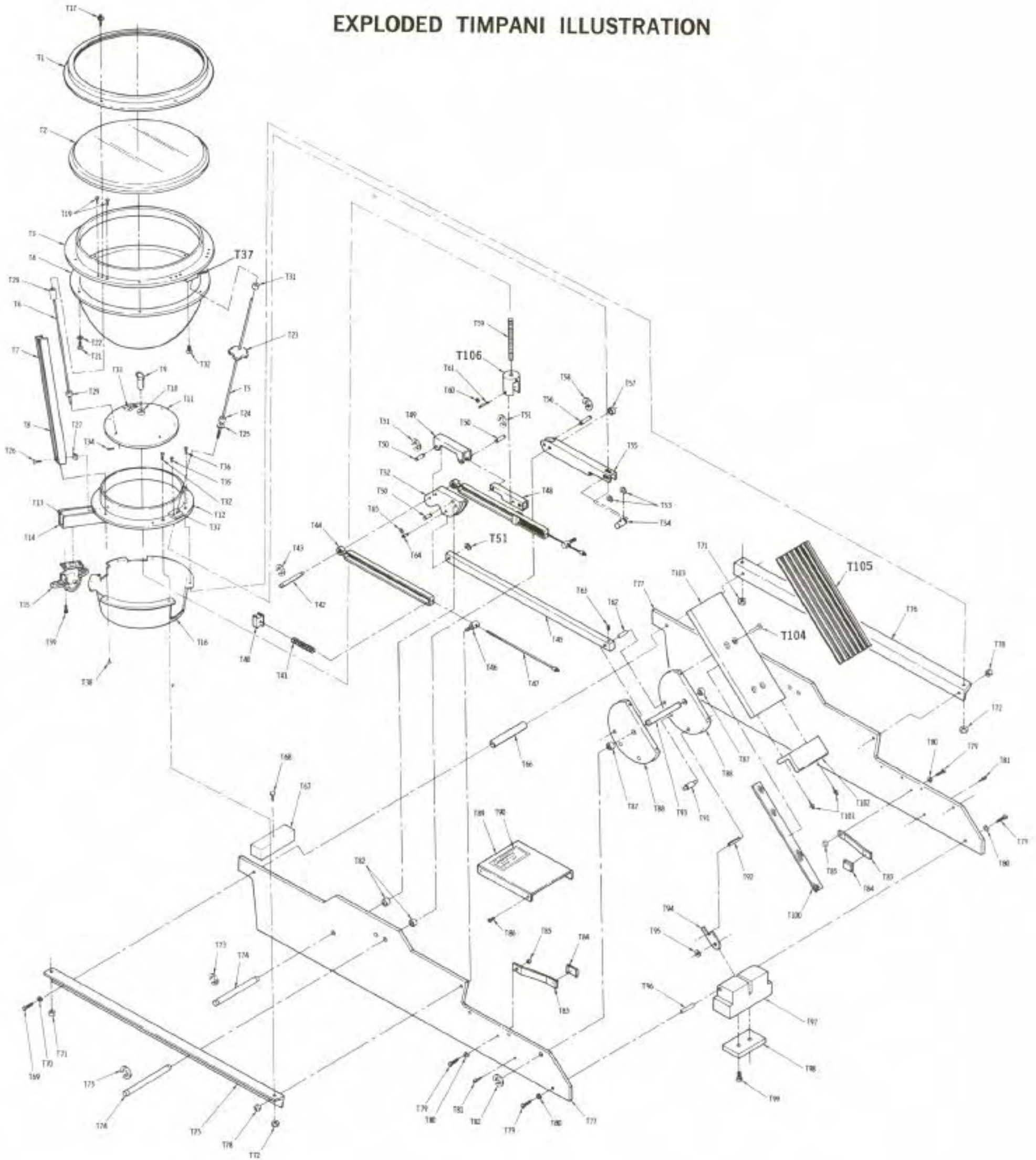


# ROGERS ACCU-SONIC TIMPANI PARTS

T1	Counterhoop				
	20 inch	60-9516			
	23 inch	60-9517			
	26 inch	60-9518			
	29 inch	60-9519			
T2	ACT Timpani Head (Inside Diameter – Outside Diameter)				
	20 inch	50-6121	21 in.	22 in.	
	23 inch	50-6124	24 in.	25 in.	
	26 inch	50-6127	27 in.	28 in.	
	29 inch	50-6130	30 in.	31 in.	
T3	Resonator Ring				
	20 inch	60-9566-090			
	23 inch	60-9567-090			
	26 inch	60-9568-090			
	29 inch	60-9569-090			
T4	Bowl				
	20 inch	60-9562-090			
	23 inch	60-9563-090			
	26 inch	60-9564-090			
	29 inch	60-9565-090			
T5	Fine Tuning Rod (Length)				
	20/26	60-9668-052	(27-5/16 in.)		
	23/29	60-9669-052	(27-5/8 in.)		
T6	Rod Tension Tube (Length)				
	20/26	60-9680-052	(24-13/16 in.)		
	23/29	60-9681-052	(25-3/16 in.)		
T7	Strut (Length)				
	20/26	60-9524-090	(25-7/16 in.)		
	23/29	60-9525-090	(25-11/16 in.)		
T8	60-9527	Tape, Walnut grain – 18 ft			
T9	60-9600-052	Master Tuning Nut			
T10	61-0254	Master Tuning Grommet, Pkg of 4			
T11	Spider				
	20/23	60-9532-090			
	26/29	60-9533-090			
T12	Basic Ring				
	20/23	60-9521-090			
	26/29	60-9522-090			
T13	61-0255	Insert, Walnut Grain, Pkg of 2			
T14	60-9627-090	Channel Leg, 1/4 x 5-5/16 in.			
T15	60-9561	Caster			
T16	Bottom Enclosure				
	20/23	60-9597-090			
	26/29	60-9598-090			
T17	61-0492	Tension Set Screw w/collar, Pkg of 6			
T18	61-0155	Washers for Tension Rods, Pkg of 48			
T19	60-9535	Screw, Flat head			
T21	60-9541	Screw 1/4-20 x 5/8			
T22	61-0363	Fibre Washer 1/4 x 1/2 x 1/16, Pkg of 8			
T23	60-9670	Fine Tuning Knob			
T24	60-9671-052	Collar			
T25	60-9591	Washer Grommet 3/8			
T26	61-0256	Screw 10-32 x 12 Allen, Pkg of 8			
T27	61-0257	Retainer Plate, Pkg of 8			
T28	61-0258	Bushing, Gum Rubber 3/16 x 1/8, Pkg of 8			
T29	61-0259	Bushing, Gum Rubber – Pkg of 8			
T31	60-9662	Bushing, Nylon			
T32	61-0260	Screw, 8-32 x 1/2 Allen, Pkg of 8			
T33	60-2448-052	Name Plate			
T34	61-0364	Tension Rod Pin 1/8 x 7/8, Pkg of 8			
T35	60-9546	Screw 1/4-20 x 3/4 Allen			
T36	61-0260	Screw 8-32 x 1/2 Allen, Pkg of 8			
T37	60-9665-090	Bearing Plate for Fine Tuning Rod			
T38	61-0361	Screw 10-32 x 1/2, Pkg of 8			
T39	61-0362	Screw 1/4-20 x 1/2 Truss Head, Pkg of 8			
T40	60-9637	Tension Nut			
T41	60-9638	Spring Paragon 33-7			
T42	60-9643	Lever Pin			
T43	60-3467	E Snap Ring			
T44	60-9755-053	Spring Housing			
T45	Pedal Link				
	20/23	60-9640-053			
	26/29	60-9679-053			
T46	60-6906-053	Bracket Link			
T47	Spring Tension Adjustment Rod				
	20/23	60-9639-053	10-1/8 in. long		
	26/29	60-9678-053	12-7/8 in. long		
T48	60-9633-053	Lever			
T49	60-9634-053	Link Toggle			
T50	60-9646-053	Link Toggle Pin			
T51	60-3467	E Ring			
T52	60-9635-053	Toggle			
T53	60-3464	C Ring			
T54	60-9672-053	Trunnion Nut for Fine Tuning Lever			
T55	Fine Tuning Lever				
	20/23	60-9676-053			
	26/29	60-9703-053			
T56	60-9673-053	Pivot			
T57	60-9656-053	Bushing			
T58	60-3465	E Ring			
T59	Stud				
	20/23	60-9615-053	3-7/8 in. long		
	26/29	60-9616-053	4-9/16 in. long		
T60	60-3467	E Snap Ring			
T61	60-9644-053	Clevis Pin			
T62	60-9655-053	Pivot Pedal Pin, 3/8 dia x 2-7/8			
T63	60-9550	Allen Set Screw 8-32 x 3/8			
T64	60-9546	Link Toggle Pin			
T65	60-3465	E Ring			
T66	60-9601-053	Rod Spacer			
T67	60-9684-090	Block Spacer			
T68	60-5830	Wood Screw Oval Head, 6 x 1			
T69	60-9551	Screw 1/4-20 x 3/4 Truss Head			
T70	60-9594	Shakeproof Spring Washer			
T71	60-9544	Stop Nut 1/4-20			
T72	60-9536	Allen Screw 10-32 x 1-1/4			
T73	60-3464	C Ring			
T74	60-9645-053	Toggle Rod			
T75	Angle Bracket, Left-hand Housing				
	20/23	60-9613-090	15 in. long		
	26/29	60-9611-090	21 in. long		
T76	Angle Bracket, Right-hand Housing				
	20/23	60-9612-090	15 in. long		
	26/29	60-9620-090	21 in. long		
T77	Side Plate for Pedal Assembly				
	20/23	60-9608-090			
	26/29	60-9609-090			
T78	60-9548	Stop Nut 5/16-18			
T79	60-9551	Screw 1/4-20 x 3/4 Truss Head			
T80	60-5372	Washer, 1/4 Lock			
T81	61-0491	Heel Brake Screw 1/4-20 x 7/16, Pkg of 12			
T82	60-9656-053	Spacer			
T83	60-9658-053	Brake Spring			
T84	60-9659-040	Brake Shoe			
T85	60-9544	Stop Nut 1/4-20			
T86	60-9699	Cover Screw			
T87	60-9656-053	Pedal Support Spacer			
T88	60-9651-090	Pedal Support			
T89	60-9693-090	Pedal Housing Cover			
T91	60-9654-053	Pedal Support Pin			
T92	60-9552	Pedal Support Pin			
T93	60-9649-053	Pedal Support Spacer Rod			
T94	60-9603-053	Pedal Lock			
T95	60-9594	Shakeproof Spring Washer			
T96	60-9605	Heel Block Pin			
T97	60-9607-090	Heel Block Spacer			
T98	60-9592	Rubber Pad for Heel Block			
T99	60-9547	Allen Screw 10-32 x 1/2			
T100	60-9727	Rubber Strip for Footboard Side			
T101	61-0492	Set Screw w/collar 5/8 in. length, Pkg of 6			
T102	60-9708-090	Pedal Heel Rest			
T103	60-9650-090	Foot Plate			
T104	60-9546	Foot Plate Allen Screws 1/4-20 x 3/4			
T105	60-9726	Footboard Rubber Pad			
T106	60-9687-053	Clevis			
	<b>COMPLETE PEDAL ASSEMBLY</b>				
	(T40 through T106)				
	60-9827-049	For 20/23 Timpani with fine tuning			
	60-9828-049	For 26/29 Timpani with fine tuning			
	60-9829-049	For 20/23 Timpani without fine tuning			
	60-9830-049	For 26/29 Timpani without fine tuning			



# EXPLODED TIMPANI ILLUSTRATION





# CONSECUTIVE PART NUMBERS WITH PAGE LOCATIONS

PART NO.	PAGE	PART NO.	PAGE	PART NO.	PAGE	PART NO.	PAGE	PART NO.	PAGE	PART NO.	PAGE
45-0401	IFC	50-6130	8	60-8067-052	2	60-9649-053	8	60-9567-090	8	61-0171	3
45-0405	IFC	60-0313	5	60-8076-050	2	60-9650-090	8	60-9568-090	8	61-0172	4
45-0701	IFC	60-2211-035	1	60-8084-035	1	60-9651-090	8	60-9569-090	8	61-0173	4
45-0705	IFC	60-2286-052	7	60-8088-050	2	60-9654-053	8	60-9591	8	61-0174	4
45-0711	IFC	60-2340-045	7	60-8091-035	2	60-9655-053	8	60-9592	8	61-0175	7
45-1001	IFC	60-2341-045	7	60-8100-049	4	60-9078-078	7	60-9594	8	61-0176	1
45-1005	IFC	60-2360-052	7	60-8125-052	4	60-9080-068	7	60-9597-090	8	61-0177	1
48-0100	5	60-2448-052	8	60-8126-052	4	60-9200	1	60-9598-090	8	61-0178	1
48-0200	3	60-3303	1	60-8130	3	60-9204	1	60-9600-052	8	61-0180	2
48-0300	5	60-3464	8	60-8155-052	3	60-9206-052	1	60-9601-053	8	61-0196	1
48-0400	5	60-3465	8	60-8156-052	2	60-9207	1	60-9603-053	8	61-0208	5
48-0501	4	60-3467	8	60-8201-049	4	60-9208-052	1	60-9605	8	61-0254	8
48-0502	4	60-4418	2	60-8205-052	4	60-9209-052	1	60-9607-090	8	61-0255	8
48-0503	4	60-4454	7	60-8206	4	60-9211-052	1	60-9608-090	8	61-0256	8
48-0506	4	60-5188-034	1	60-8226-036	4	60-9212-052	1	60-9609-090	8	61-0257	8
48-0510	2	60-5189-037	1	60-8245-049	4	60-9213-052	1	60-9610-090	8	61-0258	8
48-0511	2	60-5190-066	1	60-8261-049	4	60-9214	1	60-9611-090	8	61-0259	8
48-0512	4	60-5197-066	1	60-8266-052	4	60-9218-053	1	60-9612-090	8	61-0260	8
48-0513	4	60-5200-066	1	60-8267	4	60-9220	1	60-9656-053	8	61-0361	8
48-0518	3	60-5201-066	1	60-8273-049	4	60-9224-052	1	60-9658-053	8	61-0362	8
48-0520	4	60-5202	1	60-8278	4	60-9225-050	1	60-9659-040	8	61-0363	8
48-0521	3	60-5203-036	1	60-8280-052	3	60-9227	1	60-9662	8	61-0364	8
48-0522	3	60-5204-066	1	60-8284-052	2	60-9228-050	1	60-9665-090	8	61-0366	4
48-0539	4	60-5207-066	1	60-8286-052	4	60-9223	1	60-9668-052	8	61-0367	1
48-0542	4	60-5209-052	6	60-8290	4	60-9238	1	60-9669-052	8	61-0370	6
48-0570	2	60-5210-052	6	60-8297-052	3	60-9239	1	60-9670	8	61-0382-032	2
48-0612	1	60-5213-035	2	60-8337-052	2	60-9240	1	60-9671-052	8	61-0383-015	2
48-0613	1	60-5214-035	2	60-8338-052	3	60-9244	2	60-9672-053	8	61-0390-052	2
48-0656	1	60-5215-035	1	60-8342-049	3	60-9245	2	60-9673-053	8	61-0391	2
48-0700	7	60-5271	6	60-8361-049	4	60-9246	2	60-9676-053	8	61-0393-052	2
48-0800	5	60-5363-053	7	60-9000-052	7	60-9247	2	60-9678-053	8	61-0397	2
48-0977	5	60-5372	8	60-9001-052	7	60-9248	2	60-9679-053	8	61-0400	2
48-1101	5	60-5385-049	6	60-9004-052	7	60-9249	2	60-9680-052	8	61-0401-049	2
48-1200	5	60-5441	6	60-9005-052	7	60-9259	2	60-9681-052	8	61-0402	2
48-1280	5	60-5605-049	5	60-9006-052	7	60-9261	2	60-9684-090	8	61-0404-049	2
48-1362	5	60-5624-052	1	60-9007-052	7	60-9262	2	60-9687-053	8	61-0409-049	2
48-1421	6	60-5663	6	60-9008-052	7	60-9267	2	60-9693-090	8	61-0414-049	2
48-1501	4	60-5664	6	60-9009-052	7	60-9292	5	60-9699	8	61-0427	2
48-1735	5	60-5678-049	6	60-9010-052	7	60-9315-050	7	60-9703-053	8	61-0428-066	2
48-1736	5	60-5735-052	6	60-9011-052	7	60-9316-050	7	60-9708-090	8	61-0432-066	2
48-1800	2	60-5792	4	60-9012-052	7	60-9318-050	7	60-9726	8	61-0433	2
48-2000	7	60-5830	8	60-9014-052	7	60-9320-050	7	60-9727	8	61-0463-052	7
48-2100	7	60-5951-052	4	60-9016-052	7	60-9322-050	7	60-9755-053	8	61-0475-052	7
48-2200	3	60-6347-049	5	60-9018-052	7	60-9324	6	60-9827-049	8	61-0479-052	7
48-2334	5	60-6348-052	3	60-9022-052	7	60-9325	6	60-9828-049	8	61-0486-049	2
48-2335	5	60-6408-037	7	60-9023-052	7	60-9326	6	60-9829-049	8	61-0488	2
48-2336	5	60-6487-053	3	60-9048-078	7	60-9327	6	60-9830-049	8	61-0489	2
48-2423	5	60-6494-049	1	60-9050-068	7	60-9356	7	61-0109	6	61-0490	2
48-2601	3	60-6497-049	1	60-9051-078	7	60-9360	7	61-0110	6	61-0491	7
48-2953	1	60-6542-049	6	60-9053-068	7	60-9370	7	61-0111	6	61-0492	7
48-3300	7	60-6638-049	5	60-9054-078	7	60-9516	8	61-0112	6	61-0493	2
48-3700	4	60-6656-049	4	60-9056-068	7	60-9517	8	61-0121	7	61-0494	2
48-3987	6	60-6659-049	5	60-9057-078	7	60-9518	8	61-0124	7	61-0495	2
48-3989	6	60-6756	7	60-9059-068	7	60-9519	8	61-0125	7	61-0496	2
48-4066	6	60-6840-049	5	60-9060-078	7	60-9521-090	8	61-0126	7	61-0497	2
48-4069	6	60-6869-052	7	60-9062-068	7	60-9522-090	8	61-0127	7	61-0498	2
48-4323	6	60-6906-053	8	60-9063-078	7	60-9524-090	8	61-0128	7	61-0499	2
48-4324	6	60-7522-052	5	60-9065-068	7	60-9525-090	8	61-0129	7	61-0500	2
48-4325	6	60-7523-052	5	60-9089-078	7	60-9527	8	61-0135	4	61-0508-049	4
48-4326	6	60-7556-036	6	60-9070-068	7	60-9532-090	8	61-0143	4	61-0511-049	4
48-4327	6	60-7593-049	1	60-9075-078	7	60-9533-090	8	61-0144	4	61-0518	1
48-4328	6	60-7593-052	1	60-9077-068	7	60-9535	8	61-0145	4	61-0519	1
48-4329	6	60-7645-052	1	60-9613-090	8	60-9536	8	61-0147	4	61-0520	7
48-4330	6	60-7671-050	1	60-9615-053	8	60-9541	8	61-0155	7	61-5162-034	1
48-4400	4	60-8002	2	60-9616-053	8	60-9544	8	61-0156	6	61-5418	4
48-6000	4	60-8003	2	60-9627-090	8	60-9546	8	61-0158	1	61-6433	4
48-6001	5	60-8006-052	2	60-9633-053	8	60-9547	8	61-0159	7	61-6879	4
48-6002	7	60-8008-052	2	60-9634-053	8	60-9548	8	61-0160	7	61-8343	4
48-6400	5	60-8011-052	2	60-9635-053	8	60-9550	8	61-0161	7		
48-8100	6	60-8012-052	2	60-9637	8	60-9551	8	61-0163	6		
48-8200	6	60-8037-036	2	60-9638	8	60-9552	8	61-0164	6		
48-8485	6	60-8037-066	2	60-9639	8	60-9561	8	61-0165	4		
48-8585	6	60-8038	1	60-9640-053	8	60-9562-090	8	61-0166	4		
48-8685	6	60-8043-049	2	60-9643-053	8	60-9563-090	8	61-0167	6		
50-6121	8	60-8054-053	2	60-9644-053	8	60-9564-090	8	61-0168	7		
50-6124	8	60-8062-052	4	60-9645-053	8	60-9565-090	8	61-0169	6		
50-6127	8	60-8066-052	2	60-9646-053	8	60-9566-090	8	61-0170	3		

**ROGERS® DRUMS**  
 1300 E. Valencia  
 Fullerton, California 92631